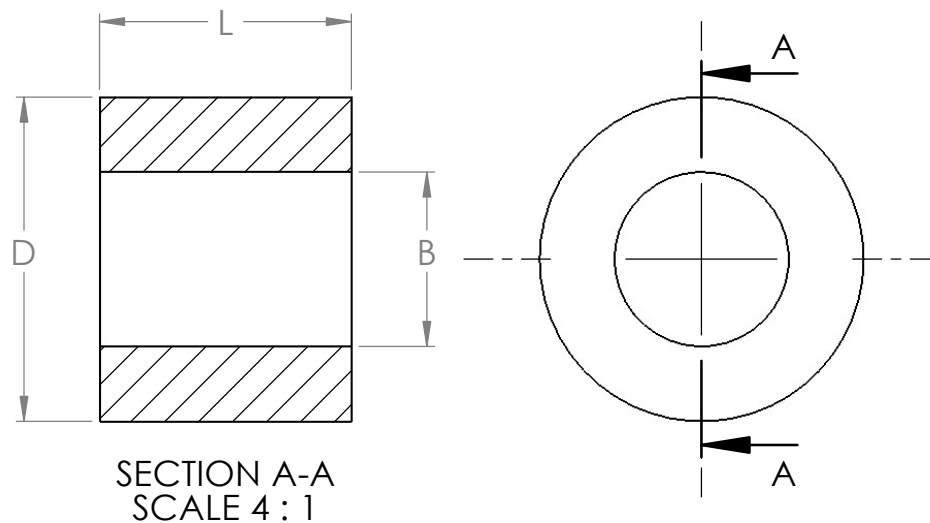


REVISIONS				
ZONE	REV.	DESCRIPTION	DATE	APPROVED
	B	Ref. for Catalog	4/24/2019	DEP
	C	Removed Tolerance Chart	9/4/2019	DEP

Part No.	Wire Size	L (Ref.)	D (Ref.)	B (Ref.)
ST2-1	1/32	.200	.128	.047
ST2-1.5	3/64	.225	.170	.067
ST2-2	1/16	.218	.203	.079
ST2-3	3/32	.328	.328	.118
ST2-4	1/8	.328	.328	.153
ST2-5	5/32	.328	.422	.190
ST2-6	3/16	.328	.422	.227
ST2-7	7/32	.635	.430	.259
ST2-8	1/4	.703	.656	.290
ST2-10	5/16	.703	.656	.357
ST2-12	3/8	.703	.656	.424



B

B

A

A

PROPRIETARY AND CONFIDENTIAL
THE INFORMATION CONTAINED IN THIS DRAWING IS THE SOLE PROPERTY OF LOOS & CO. INC. ANY REPRODUCTION IN PART OR AS A WHOLE WITHOUT THE WRITTEN PERMISSION OF LOOS & CO. INC. IS PROHIBITED.

MATERIAL **COPPER**
FINISH **NONE**

	NAME	DATE
DRAWN	YD	4/18/19
CHECKED	BG	4/24/19
ENG APPR.	DEP	4/24/19

COMMENTS:

DO NOT SCALE DRAWING

TITLE: **LOOS & CO. INC.**
CABLEWARE® DIVISION

Commercial Copper Stops

SIZE A	DWG. NO. ST2-CATALOG	REV C
SCALE: 5:1		