

2024 CATALOG





CABLEWARE® DIVISION

How to order:

Order by part number and dash number. It is helpful to give us the size of the wire rope the hardware is to fit. If you don't know the exact size, send a short sample with your order. Order standard packaged quantities where applicable. If no standard package shows, we will supply any quantity from one piece up. Contact us for details regarding warranties, credit, payment terms, and minimum billing.

Look for our trademarks to assure you are receiving quality products:

- All required MS fittings are trademarked: Ⓞ
- All compression fittings are trademarked: Locoloc®
- All swaging tools are trademarked: Locoloc®
- All easily attached fittings are trademarked: Loos Ends®
- All our products are trademarked: Cableware®

For all your Hardware and Tool needs, call our sales staff at our Cableware Division at:
(800) 321-LOOS (5667)

Email: sales@loosnaples.com / Web: www.loosnaples.com
Fax: (239) 643-4558
Naples, FL USA

For all your Wire Rope, Cable and Cable Assembly needs, call our sales staff at our Pomfret Division at:
(800) 533-LOOS (5667)

Email: sales@loosco.com / Web: www.loosco.com
Fax: (860) 928-6167
Pomfret, CT USA

For information about Central Wire Industries, our parent company, contact:
(800) 435-8317

Email: sales@centralwire.com / Web: www.centralwire.com
United States, Canada, United Kingdom

TERMS AND CONDITIONS OF SALE

901 INDUSTRIAL BOULEVARD, NAPLES, FL 34104
USA/TEL: (239) 643-LOOS (5667) FAX: (239) 643-4558
TOLL FREE: 1-800-321-LOOS (5667)
www.loosnaples.com

NOTE: Because of the fluctuations and uncertainties of primary metal markets, we may be forced to add surcharges to certain metals. Because of the rapidity of changes, these surcharges may be subject to immediate additional costs to our customers. Where it is possible we will do our utmost to advise you of surcharge increases in advance.

WARRANTY: All Loos & Co., Inc. products are unconditionally guaranteed against manufacturing defects. Any item found to be defective will be replaced or adjustment made provided we are notified promptly upon receipt. **We reserve the right to request that the item be returned to us for examination and cannot be responsible for labor charges incurred in the replacement of any item. Our liability for defects on any item shall not exceed its replacement cost to us. Debit memos will not be accepted without written authorization from us.**

CREDIT: Open account terms may be extended to firms with satisfactory commercial credit rating. Firms without commercial credit rating can qualify for open account terms by listing on their order the name of their bank and three active credit references. **To avoid delay in servicing an order we will ship C.O.D. when we lack proper credit information or we can accept VISA, MASTERCARD or DISCOVER credit cards.**

PAYMENT TERMS: NET 30 DAYS.

Net amount of invoice is due in full 30 days after invoice date.

A service charge of 1.5% per month (18% per annum) will be added to outstanding balances over 30 days old.

FREIGHT ALLOWANCES: All shipments are made freight collect and are F.O.B. shipping point (Ex Works). We will do everything possible to see that our customers receive the best possible combination of freight weights and routing. But in order to ship in the most expedient manner, we can not guarantee that each and every shipment will be consolidated to arrive at the optimum freight costs. We suggest you specify routing and/or freight lines of your choice.

MINIMUM ORDER, HARDWARE AND TOOLS ONLY
REPLACEMENT PARTS \$25.00
EXPORT ORDERS: FOR SHIPMENT OUTSIDE U.S.A. \$250.00
DOMESTIC ORDERS: FOR SHIPMENT INSIDE U.S.A. \$50.00
IN-HOUSE TOOL REPAIR \$125.00

CLAIMS: All products are carefully inspected and packaged to assure delivery in good condition. Product damage or loss occurring in transit is the responsibility of the carrier. In the event of such loss, you must advise the carrier within 15 days after delivery. We will give all reasonable assistance in tracing shortages or filling claims.

RETURNED MERCHANDISE: Credit will not be issued for materials returned without a Return Material Authorization (RMA) number. Return requests must be communicated to our Naples office and include an itemized list with the invoice number and date. All returns are subject to evaluation prior to an RMA being issued. Return requests beyond 90 days of receipt of order may not be accepted. All returns are subject to a 20% restocking charge.

SPECIFICATIONS: The dimensions, weights, strengths, lengths, and other specifications shown in the catalog are subject to variation within reasonable tolerances. **Aluminum Sleeves and Stops are inspected and accepted to ANSI acceptance level 6.5.**

CERTIFICATIONS: MS, AN, NAS and Boeing specified products DFARS, Country of Origin/Melt, Mercury Free, Revision level (except MS51844), Date of Manufacture, no charge if requested at time of order or \$50/line item after order acceptance. Charges for additional items are: First Article Inspection \$500, Final Inspection Report \$200, Raw Material Certification \$200, Certificate of Origin \$150, Process Certification \$50 and other custom requests \$100 per line.

ORDERS: All orders are subject to acceptance by our home office. We cannot be responsible for delays or nonfulfillment due to riots, hurricanes, floods, strikes or other causes beyond our control.

CUSTOM MANUFACTURED ORDERS: Orders for custom manufactured parts or cable assemblies will be considered irrevocable after confirmation of receipt of purchase order. Such orders require special order raw materials and must be considered the property of the customer once purchase order is accepted.

Please note that all custom manufactured orders will be shipped within +/- 10% of the total ordered quantity (i.e. If 500 pcs of an item are ordered, the

All prices are subject to change without notice.
Invoices will be based on the prices prevailing at the time shipment is to be made.



WIRE ROPE TERMINALS

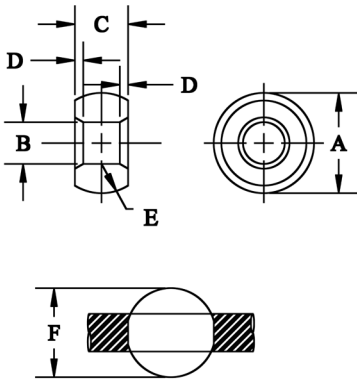
Plain Ball BA3

CORROSION-RESISTANT STEEL

SPECIFICATIONS



BA-3



| MS Part No. | Cable Diameter | A | B | C | D | E | F Sphere Dia | Min. Breaking Strength Lbs. | Lbs. per Piece |
|-------------|----------------|--------------|--------------|--------------|--------------|--------------|----------------|-----------------------------|----------------|
| BA3-1 | 1/32 | .211 .208 | .048 .045 | .141 .137 | .026 .016 | .083 .073 | .1905 .1875 | 88 | 0.002 |
| BA3-1.5 | 3/64 | .211 .208 | .057 .053 | .141 .137 | .026 .016 | .083 .073 | .1905 .1875 | 215 | 0.0019 |
| BA3-2 | 1/16 | .211 .208 | .076 .073 | .141 .137 | .026 .016 | .083 .073 | .1905 .1875 | 385 | 0.0017 |
| BA3-3 | 3/32 | .288 .284 | .106 .102 | .174 .170 | .041 0.31 | .099 .089 | .253 .250 | 735 | 0.004 |
| BA3-4 | 1/8 | .355 .351 | .143 .139 | .190 .184 | .041 .031 | .142 .132 | .317 .312 | 1,200 | 0.006 |
| BA3-5 | 5/32 | .429 .425 | .175 .171 | .227 .222 | .041 .031 | .170 .160 | .380 .375 | 1,680 | 0.009 |
| BA3-6 | 3/16 | .498 .493 | .207 .203 | .264 .259 | .041 .031 | .197 .187 | .442 .437 | 2,520 | 0.01 |
| BA3-7 | 7/32 | .560 .555 | .238 .233 | .303 .297 | .041 .031 | .220 REF | .505 .500 | 2,800 | 0.0143 |
| BA3-8 | 1/4 | .629 .624 | .269 .264 | .334 .339 | .050 .040 | .245 REF | .567 .562 | 3,500 | 0.0204 |

Loos & Co. BA3 same as Boeing BACT14B and NAS 494.

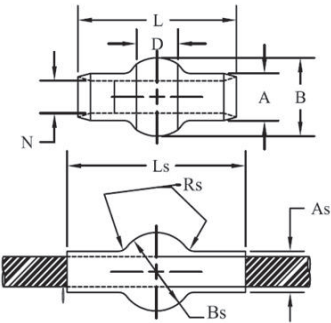
Double Shank Ball MS20663

CORROSION-RESISTANT STEEL

SPECIFICATIONS



MS20663

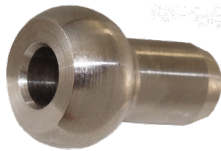


| MS Part No. | Cable Dia. | A Dia. | As Dia. | B Dia. | Bs Spherical Dia. | D | L ±.0075 | Ls Ref. | N Dia. | Rs Ref Rad. | Lbs. Per Piece |
|-------------|------------|--------|---------|--------|-------------------|-------|----------|---------|--------|-------------|----------------|
| MS20663C2 | 1/16 | .127 | .112 | .207 | .190 | .114 | .362 | .390 | .073 | .014 | .0016 |
| MS20663C3 | 3/32 | .163 | .143 | .277 | .253 | .152 | .525 | .578 | .104 | .019 | .0032 |
| MS20663C4 | 1/8 | .218 | .190 | .345 | .315 | .1895 | .688 | .765 | .139 | .023 | .0094 |
| MS20663C5 | 5/32 | .254 | .222 | .419 | .379 | .227 | .850 | .953 | .169 | .028 | .0125 |
| MS20663C6 | 3/16 | .293 | .255 | .487 | .442 | .264 | 1.012 | 1.140 | .201 | .033 | .025 |
| MS20663C7 | 7/32 | .347 | .302 | .555 | .505 | .3025 | 1.175 | 1.328 | .233 | .038 | .032 |
| MS20663C8 | 1/4 | .401 | .348 | .624 | .567 | .3395 | 1.337 | 1.515 | .264 | .042 | .040 |
| MS20663C9 | 9/32 | .439 | .382 | .694 | .632 | .3775 | 1.497 | 1.719 | .297 | .046 | .042 |
| MS20663C10 | 5/16 | .475 | .413 | .763 | .694 | .4145 | 1.664 | 1.875 | .328 | .046 | .043 |

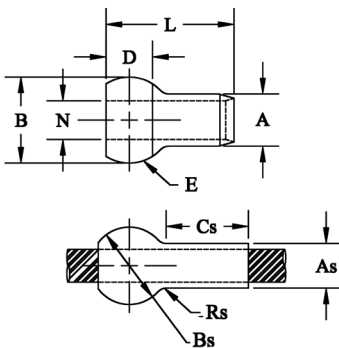
Single Shank Ball MS20664

CORROSION-RESISTANT STEEL

SPECIFICATIONS



MS20664



| MS Part No. | Cable Dia. | A Dia. | As Dia. | B Dia. | Bs Spherical Dia. | Cs Ref. | D Ref. | E Rad Ref | L | N Dia. | Rs Ref Rad | Lbs. Per Piece |
|-------------|------------|--------|---------|--------|-------------------|---------|--------|-----------|-------|--------|------------|----------------|
| 664-C1.5 | 3/64 | .132 | .112 | .212 | .190 | .156 | .114 | .0825 | .2685 | .053 | .014 | .00132 |
| MS20664C2 | 1/16 | .132 | .112 | .212 | .190 | .156 | .114 | .0825 | .2685 | .073 | .014 | .0012 |
| MS20664C3 | 3/32 | .168 | .143 | .282 | .253 | .234 | .152 | .110 | .384 | .104 | .019 | .005 |
| MS20664C4 | 1/8 | .223 | .190 | .350 | .315 | .313 | .1895 | .137 | .500 | .139 | .023 | .0075 |
| MS20664C5 | 5/32 | .259 | .222 | .424 | .379 | .391 | .2275 | .165 | .616 | .169 | .028 | .01 |
| MS20664C6 | 3/16 | .298 | .255 | .492 | .442 | .469 | .2645 | .192 | .730 | .201 | .033 | .015 |
| MS20664C7 | 7/32 | .352 | .302 | .560 | .505 | .547 | .3025 | .220 | .846 | .233 | .038 | .025 |
| MS20664C8 | 1/4 | .406 | .348 | .629 | .567 | .625 | .3395 | .247 | .962 | .264 | .042 | .03 |
| MS20664C9 | 9/32 | .444 | .382 | .699 | .632 | .750 | .3775 | .275 | 1.078 | .297 | .046 | .05 |
| MS20664C10 | 5/16 | .480 | .413 | .768 | .694 | .813 | .4145 | .302 | 1.193 | .328 | .046 | .066 |
| 664C12 | 3/8 | .553 | .476 | .903 | .820 | .935 | .489 | .357 | 1.425 | .411 | .061 | .0874 |

Loos & Co., Inc. is a Qualified Producer (QPL) of MS Fittings and listed in QPL-781 & QPL-8878.
We also manufacture swaging equipment capable of swaging to meet
MIL-DTL-781, MIL-DTL-6117, and MIL/SAE AS10081

WIRE ROPE TERMINALS

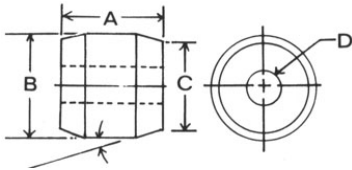
Terminal, Cylindrical ST24

CORROSION-RESISTANT STEEL

SPECIFICATIONS



ST24



Also known as "Stop Buttons," "Sleeves," "Boeing Buttons," (Boeing Part No. BACT14A, Except ST24-8), these stainless steel terminals have a multitude of uses. When properly applied, they will hold the breaking strength of the wire rope (except for 1x7 or 1x19 constructions).

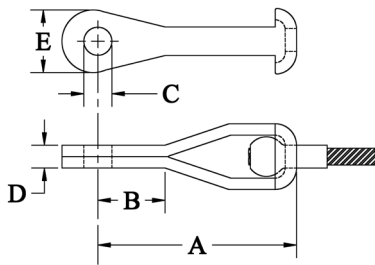
| MS Part No. | Cable Diameter | A | B | C | D | C = As | Die Size | Lbs. per Piece |
|-------------|----------------|--------------|--------------|--------------|--------------|--------|----------|----------------|
| ST24-2 | 1/16 | .224 .214 | .221 .217 | .190 .185 | .076 .073 | .190 | 3/32 | .0019 |
| ST24-3 | 3/32 | .333 .323 | .252 .248 | .219 .214 | .107 .104 | .219 | 1/8 | .005 |
| ST24-4 | 1/8 | .416 .406 | .298 .294 | .250 .245 | .146 .141 | .250 | 5/32 | .0075 |
| ST24-5 | 5/32 | .510 .500 | .377 .373 | .313 .308 | .177 .172 | .313 | 3/16 | .01 |
| ST24-6 | 3/16 | .635 .625 | .439 .435 | .375 .370 | .208 .203 | .375 | 7/32 | .0195 |
| ST24-8 | 1/4 | .885 .875 | .565 .560 | .500 .495 | .270 .265 | .500 | 9/32 | .0457 |

Minimum breaking strength of ST24 terminals equals the minimum breaking strength of flexible carbon steel wire rope conforming to Specification MIL-DTL-83420.

For swaging of these terminals, the dies for the next larger size AN-MS standard terminals are required.



NAS1435-E



Strap Eyes NAS1435-E

STRAP, EYE END
CORROSION-RESISTANT STEEL

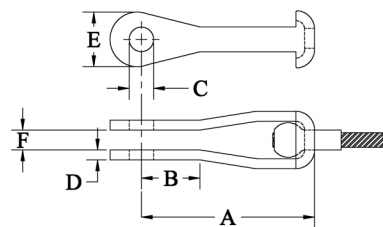
SPECIFICATIONS

| MS Part No. | Cable Dia. | A | B | C | D | E | F | Lbs. Per Piece |
|-------------|------------|---------|------|------|------|-------|------|----------------|
| NAS1435E2 | 1/16 | 1-1/16 | .454 | .188 | .088 | 3/8 | .093 | .006 |
| NAS1435E3 | 3/32 | 1-1/12 | .616 | .188 | .103 | 7/16 | .108 | .013 |
| NAS1435E4 | 1/8 | 1-5/8 | .638 | .188 | .190 | 1/2 | .195 | .030 |
| NAS1435E5 | 5/32 | 1-31/32 | .699 | .250 | .197 | 9/16 | .202 | .042 |
| NAS1435E6 | 3/16 | 2-3/16 | .750 | .313 | .255 | 11/16 | .260 | .083 |

Also available in Commercial Grade (SP1 Series).



NAS1435-K



Strap Forks NAS1435-K

STRAP, FORK END
CORROSION-RESISTANT STEEL

SPECIFICATIONS

| MS Part No. | Cable Dia. | A | B | C | D | E | F | Lbs. Per Piece |
|-------------|------------|---------|------|------|------|-------|------|----------------|
| NAS1435K2 | 1/16 | 1-1/16 | .454 | .188 | .042 | 3/8 | .093 | .006 |
| NAS1435K3 | 3/32 | 1-1/2 | .616 | .188 | .049 | 7/16 | .108 | .013 |
| NAS1435K4 | 1/8 | 1-5/8 | .638 | .188 | .093 | 1/2 | .195 | .030 |
| NAS1435K5 | 5/32 | 1-31/32 | .699 | .250 | .096 | 9/16 | .202 | .042 |
| NAS1435K6 | 3/16 | 2-3/16 | .750 | .313 | .125 | 11/16 | .260 | .083 |

Also available in Commercial Grade (SP2 Series).



PI5



Cotter Pin PI5

CORROSION-RESISTANT STEEL

| Part No. | A | B | C |
|----------|------|-------|------|
| PI5-1 | .062 | .75 | 1/8 |
| PI5-2 | .093 | 1.00 | 3/16 |
| PI5-3 | .125 | 1.250 | 1/4 |
| PI5-4 | .156 | 1.625 | 3/8 |

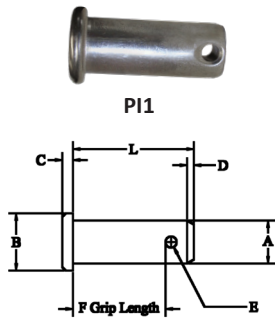
Non-stock items subject to reasonable delivery, depending on current manufacturing lead time. When ordering: Specify Part Number and diameter of cable hardware it is to fit.

WIRE ROPE TERMINALS

Clevis Pins PI1

CORROSION-RESISTANT STEEL

SPECIFICATIONS



| Part No. | Fits MS Nos. Indicated | Cable Diam. | A | B | C | D | E | L | F | Lbs. per Piece |
|----------|------------------------|-------------|------|-------|------|------|-------|--------|--------|----------------|
| PI1-3 | MS20667-2 | 1/16 | 3/16 | 5/16 | 1/16 | 3/64 | .081 | 7/16 | 5/16 | .004 |
| | MS20667-3 | 3/32 | 3/16 | 5/16 | 1/16 | 3/64 | .081 | 7/16 | 5/16 | .004 |
| PI1-4 | MS20667-4 | 1/8 | 3/16 | 5/16 | 1/16 | 3/64 | .081 | 17/32 | 13/32 | .005 |
| PI1-5 | MS20667-5 | 5/32 | 1/4 | 3/8 | 1/16 | 3/64 | .089 | 17/32 | 13/32 | .009 |
| PI1-6 | MS20667-6 | 3/16 | 5/16 | 7/16 | 1/16 | 3/64 | .098 | 23/32 | 9/16 | .017 |
| PI1-7 | MS20667-7 | 7/32 | 5/16 | 7/16 | 1/16 | 1/16 | .098 | 27/32 | 11/16 | .020 |
| PI1-8 | MS20667-8 | 1/4 | 3/8 | 1/2 | 3/32 | 1/16 | .098 | 31/32 | 13/16 | .033 |
| PI1-9 | MS20667-9 | 9/32 | 7/16 | 5/8 | 3/32 | 1/16 | .1405 | 1-3/32 | 7/8 | .040 |
| PI1-10 | MS20667-10 | 5/16 | 7/16 | 5/8 | 3/32 | 1/16 | .1405 | 1-3/32 | 7/8 | .040 |
| PI1-12 | MS20667-12 | 3/8 | 1/2 | 11/16 | 1/8 | 5/64 | .1405 | 1-1/8 | 7/8 | .050 |
| PI1-14 | MS20667-14 | 7/16 | 9/16 | 23/32 | 1/8 | 5/64 | .172 | 1-7/32 | 7/8 | .070 |
| PI1-16 | MS20667-16 | 1/2 | 5/8 | 13/16 | 1/8 | 5/64 | .172 | 1-5/16 | 1-1/16 | .127 |

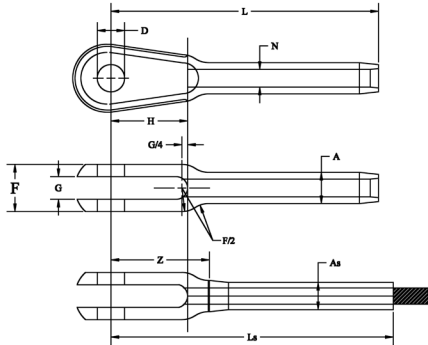
Fork End MS20667

CORROSION-RESISTANT STEEL

SPECIFICATIONS



MS20667



| MS Part No. | Cable Dia. | A Dia. | As Dia. | D Dia. | F +.010 -.005 | G | H | L +.020 -.000 | Ls Ref. | N Dia. | Z Min. | Lbs. Per Piece |
|-------------|------------|--------|---------|--------|---------------|------|-------|---------------|---------|--------|--------|----------------|
| MS20667-2 | 1/16 | .160 | .138 | .190 | .218 | .093 | .500 | 1.572 | 1.75 | .078 | .600 | .01 |
| MS20667-3 | 3/32 | .218 | .190 | .190 | .254 | .108 | .670 | 1.945 | 2.06 | .109 | .750 | .02 |
| MS20667-4 | 1/8 | .250 | .219 | .190 | .383 | .195 | .735 | 2.352 | 2.61 | .141 | .91 | .0325 |
| MS20667-5 | 5/32 | .297 | .250 | .250 | .406 | .202 | .800 | 2.655 | 3.00 | .172 | .97 | .05 |
| MS20667-6 | 3/16 | .359 | .313 | .313 | .543 | .260 | .880 | 3.071 | 3.24 | .203 | 1.13 | .09 |
| MS20667-7 | 7/32 | .427 | .375 | .313 | .625 | .296 | .970 | 3.440 | 3.74 | .234 | 1.25 | .15 |
| MS20667-8 | 1/4 | .494 | .438 | .375 | .688 | .313 | 1.070 | 3.806 | 4.10 | .265 | 1.37 | .20 |
| MS20667-9 | 9/32 | .563 | .500 | .438 | .719 | .327 | 1.170 | 4.120 | 4.48 | .297 | 1.43 | .30 |
| MS20667-10 | 5/16 | .635 | .563 | .438 | .765 | .348 | 1.268 | 4.438 | 4.86 | .328 | 1.50 | .3812 |
| MS20667-12 | 3/8 | .703 | .625 | .500 | .830 | .380 | 1.525 | 5.333 | 5.74 | .404 | 1.89 | .575 |
| MS20667-14 | 7/16 | .781 | .688 | .562 | .830 | .380 | 1.776 | 6.102 | 6.57 | .468 | 2.16 | .775 |
| MS20667-16 | 1/2 | .844 | .750 | .625 | 1.035 | .473 | 1.903 | 6.938 | 7.50 | .531 | 2.31 | 1.625 |
| MS20667-18 | 9/16 | .984 | .875 | .750 | 1.241 | .567 | 2.375 | 7.75 | 8.34 | .594 | 2.81 | 2.14 |
| MS20667-20 | 5/8 | 1.109 | 1.00 | .875 | 1.351 | .663 | 2.770 | 8.673 | 9.36 | .656 | 3.23 | 2.66 |
| MS20667-24 | 3/4 | 1.359 | 1.250 | .875 | 1.451 | .663 | 2.791 | 9.740 | 10.31 | .781 | 3.30 | 2.85 |
| MS20667-28 | 7/8 | 1.593 | 1.437 | 1.000 | 1.656 | .756 | 3.170 | 10.802 | 11.56 | .921 | 3.70 | 3.65 |
| MS20667-32 | 1 | 1.812 | 1.625 | 1.125 | 1.864 | .851 | 3.562 | 12.312 | 13.22 | 1.046 | 4.15 | 8.50 |

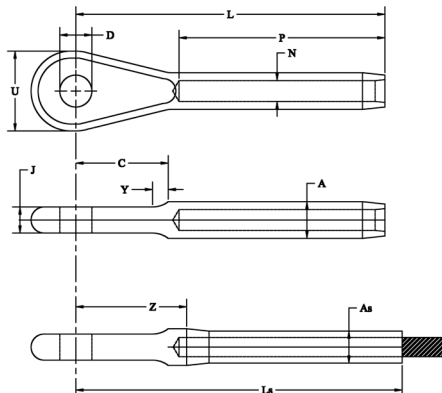
Eye End MS20668

CORROSION-RESISTANT STEEL

SPECIFICATIONS



MS20668



| MS Part No. | Cable Dia. | A Dia. | As Dia. | C ±.020 | D Dia. | J | L +.020 -.000 | Ls. Ref. | N Dia. | P | U +.025 -.010 | Y | Z Min. | Lbs per piece |
|-------------|------------|--------|------------------|---------|--------|------|---------------|----------|--------|-------|---------------|------|--------|---------------|
| MS20668-2 | 1/16 | .160 | .138 +.000 -.005 | .523 | .190 | .088 | 1.631 | 1.809 | .078 | 1.042 | .359 | .072 | .662 | .009 |
| MS20668-3 | 3/32 | .218 | .190 " | .707 | .190 | .103 | 2.043 | 2.160 | .109 | 1.261 | .438 | .092 | .856 | .018 |
| MS20668-4 | 1/8 | .250 | .219 " | .738 | .190 | .190 | 2.337 | 2.593 | .141 | 1.511 | .500 | .103 | .900 | .035 |
| MS20668-5 | 5/32 | .297 | .250 " | .831 | .250 | .197 | 2.684 | 3.029 | .172 | 1.761 | .640 | .131 | .997 | .050 |
| MS20668-6 | 3/16 | .359 | .313 " | .903 | .313 | .255 | 3.019 | 3.187 | .203 | 2.011 | .781 | .155 | 1.082 | .090 |
| MS20668-7 | 7/32 | .427 | .375 +.000 -.007 | 1.007 | .313 | .291 | 3.382 | 3.678 | .234 | 2.261 | .813 | .187 | 1.195 | .135 |
| MS20668-8 | 1/4 | .494 | .438 " | 1.133 | .375 | .307 | 3.763 | 4.062 | .265 | 2.511 | .968 | .221 | 1.326 | .200 |
| MS20668-9 | 9/32 | .563 | .500 +.000 -.008 | 1.257 | .438 | .322 | 4.153 | 4.512 | .297 | 2.761 | 1.109 | .251 | 1.465 | .250 |
| MS20668-10 | 5/16 | .635 | .563 " | 1.373 | .438 | .343 | 4.546 | 4.969 | .328 | 3.011 | 1.218 | .281 | 1.609 | .400 |
| MS20668-12 | 3/8 | .703 | .625 " | 1.688 | .500 | .375 | 5.562 | 5.968 | .404 | 3.511 | 1.500 | .320 | 2.124 | .575 |
| MS20668-14 | 7/16 | .781 | .688 " | 1.968 | .562 | .375 | 6.398 | 6.867 | .468 | 4.011 | 1.750 | .350 | 2.460 | .790 |
| MS20668-16 | 1/2 | .844 | .750 +.000 -.009 | 2.115 | .625 | .468 | 7.323 | 7.886 | .531 | 4.698 | 1.875 | .406 | 2.698 | 1.050 |
| MS20668-18 | 9/16 | .984 | .875 " | 2.625 | .750 | .562 | 8.185 | 8.778 | .594 | 5.011 | 2.340 | .450 | 3.247 | 2.00 |
| MS20668-20 | 5/8 | 1.109 | 1.00 +.000 -.010 | 3.062 | .875 | .657 | 9.167 | 9.854 | .656 | 5.511 | 2.730 | .515 | 3.729 | 2.25 |
| MS20668-24 | 3/4 | 1.359 | 1.25 +.000 -.012 | 3.093 | .875 | .657 | 10.328 | 10.900 | .781 | 6.511 | 2.750 | .600 | 3.890 | 2.50 |
| MS20668-28 | 7/8 | 1.593 | 1.437 " | 3.515 | 1.00 | .750 | 11.530 | 12.290 | .921 | 7.166 | 3.125 | .675 | 4.437 | 3.50 |
| MS20668-32 | 1 | 1.812 | 1.625 " | 3.937 | 1.125 | .844 | 13.156 | 14.062 | 1.046 | 8.229 | 3.510 | .775 | 5.000 | 8.258 |

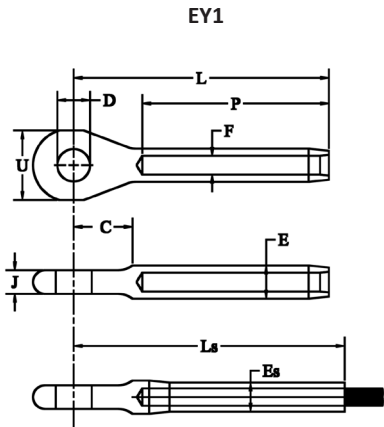
WIRE ROPE TERMINALS



Marine Eye EY1

CORROSION-RESISTANT STEEL (TYPE 316 STAINLESS STEEL)

SPECIFICATIONS



| MS Part No. | Cable Dia. | C Ref | D +.010 -.010 | E +.000 -.005 | F +.007 -.003 | J ± 1/32 | L REF | P +.032 -.010 | Max. U Ref. | After Swage Es +.000 -.009 | After Swage Ls Ref. | Lbs. Per Piece |
|-------------|------------|-------|---------------------|---------------------|---------------------|-------------|----------|---------------------|----------------|-------------------------------------|------------------------------|----------------------|
| EY1-2X | 1/16 | .375 | .264 | .160 | .078 | .218 | 1.500 | .938 | .594 | .138 | 1.809 | .015 |
| EY1-3X | 3/32 | .500 | .264 | .218 | .109 | .218 | 1.750 | 1.188 | .594 | .190 | 2.070 | .028 |
| EY1-4X | 1/8 | .500 | .264 | .250 | .141 | .218 | 2.088 | 1.500 | .594 | .219 | 2.401 | .033 |
| EY1-5X | 5/32 | .580 | .327 | .297 | .172 | .281 | 2.355 | 1.688 | .750 | .250 | 2.709 | .055 |
| EY1-6X | 3/16 | .580 | .389 | .359 | .203 | .359 | 2.750 | 2.000 | .875 | .313 | 3.147 | .090 |
| EY1-7X | 7/32 | .800 | .452 | .427 | .234 | .406 | 3.220 | 2.313 | 1.000 | .375 | 3.787 | .150 |
| EY1-8X | 1/4 | .900 | .514 | .494 | .265 | .468 | 3.625 | 2.500 | 1.125 | .438 | 4.282 | .250 |
| EY1-9X | 9/32 | .990 | .514 | .563 | .297 | .468 | 3.795 | 2.688 | 1.125 | .500 | 4.514 | .330 |
| EY1-10X | 5/16 | 1.080 | .640 | .635 | .328 | .593 | 4.495 | 3.250 | 1.375 | .563 | 5.274 | .500 |
| EY1-12X | 3/8 | 1.150 | .640 | .703 | .390 | .593 | 4.930 | 3.500 | 1.375 | .625 | 5.659 | .670 |
| EY1-14X | 7/16 | 1.24 | .765 | .781 | .468 | .719 | 5.375 | 3.938 | 1.438 | .688 | 6.150 | 1.00 |
| EY1-16X | 1/2 | 1.290 | .890 | .844 | .531 | .844 | 6.250 | 4.750 | 1.875 | .750 | 7.187 | 1.25 |

Stud MS21259 (AN666)

CORROSION-RESISTANT STEEL

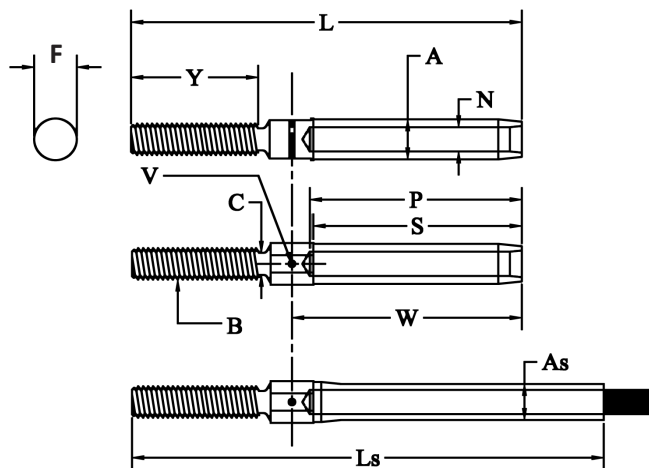
Be Sure to specify RH or LH Thread

SPECIFICATIONS

| MS Part No. | | Cable Dia. | Thread B UN-3A UNF-3A | A Diam. | As Diam. | C Diam. | F | L ±.063 | Ls Ref. | N Dia. | P | V +.005 -.000 | S +.062 -.000 | w ±.016 | Y +.083 -.020 | Lbs. Per Piece |
|--------------|--------------|------------|-----------------------------|------------|-------------|------------|-------|------------|------------|-----------|-------|---------------------|---------------------|------------|---------------------|----------------------|
| RH Thread | LH Thread | | | | | | | | | | | | | | | |
| MS21259-2RH | MS21259-2LH | 1/16 | (# 6)-40 | .160 | .138 | .121 | .188 | 2.473 | 2.65 | .078 | 1.042 | .063 | .969 | 1.174 | 1.045 | .01 |
| MS21259-3RH | MS21259-3LH | 3/32 | (# 10)-32 | .218 | .190 | .169 | .250 | 2.879 | 3.00 | .109 | 1.261 | .063 | 1.188 | 1.411 | 1.204 | .0225 |
| MS21259-4RH | MS21259-4LH | 1/8 | (1/4)-28 | .250 | .219 | .226 | .313 | 3.333 | 3.59 | .141 | 1.511 | .063 | 1.438 | 1.682 | 1.376 | .0375 |
| MS21259-5RH | MS21259-5LH | 5/32 | (1/4)-28 | .297 | .250 | .226 | .313 | 3.627 | 3.97 | .172 | 1.761 | .063 | 1.688 | 1.958 | 1.376 | .0475 |
| MS21259-6RH | MS21259-6LH | 3/16 | (5/16)-24 | .359 | .313 | .285 | .375 | 4.002 | 4.17 | .203 | 2.011 | .098 | 1.938 | 2.237 | 1.458 | .08 |
| MS21259-7RH | MS21259-7LH | 7/32 | (3/8)-24 | .427 | .375 | .347 | .438 | 4.516 | 4.81 | .234 | 2.261 | .098 | 2.188 | 2.518 | 1.625 | .12 |
| MS21259-8RH | MS21259-8LH | 1/4 | (3/8)-24 | .494 | .438 | .347 | .500 | 4.937 | 5.24 | .265 | 2.511 | .098 | 2.438 | 2.784 | 1.750 | .165 |
| MS21259-9RH | MS21259-9LH | 9/32 | (7/16)-20 | .563 | .500 | .405 | .625 | 5.391 | 5.75 | .297 | 2.761 | .098 | 2.688 | 3.076 | 1.875 | .265 |
| MS21259-10RH | MS21259-10LH | 5/16 | (1/2)-20 | .635 | .563 | .467 | .688 | 5.844 | 6.27 | .328 | 3.011 | .098 | 2.938 | 3.326 | 2.000 | .375 |
| MS21259-12RH | MS21259-12LH | 3/8 | (9/16)-18 | .703 | .625 | .529 | .750 | 6.656 | 7.06 | .404 | 3.511 | .098 | 3.438 | 3.828 | 2.250 | .500 |
| MS21259-14RH | MS21259-14LH | 7/16 | (5/8)-18 | .781 | .688 | .592 | .812 | 7.437 | 7.91 | .468 | 4.011 | .098 | 3.938 | 4.375 | 2.500 | .625 |
| MS21259-16RH | MS21259-16LH | 1/2 | (5/8)-18 | .844 | .750 | .592 | .875 | 8.187 | 8.75 | .531 | 4.698 | .125 | 4.625 | 5.093 | 2.500 | .75 |
| MS21259-18RH | MS21259-18LH | 9/16 | (3/4)-16 | .984 | .875 | .717 | 1.000 | 9.125 | 9.72 | .594 | 5.011 | .125 | 4.938 | 5.468 | 3.000 | 1.00 |
| MS21259-20RH | MS21259-20LH | 5/8 | (7/8)-14 | 1.109 | 1.000 | .842 | 1.125 | 10.375 | 11.06 | .656 | 5.511 | .125 | 5.438 | 6.093 | 3.500 | 1.50 |
| MS21259-24RH | MS21259-24LH | 3/4 | (1)-12 | 1.359 | 1.250 | .967 | 1.438 | 12.063 | 12.64 | .781 | 6.511 | .125 | 6.438 | 7.188 | 4.000 | 2.75 |
| MS21259-28RH | MS21259-28LH | 7/8 | (1 1/8)-12 | 1.593 | 1.437 | 1.092 | 1.625 | 13.226 | 13.99 | .921 | 7.166 | .125 | 7.094 | 7.846 | 4.500 | 3.90 |
| MS21259-32RH | MS21259-32LH | 1 | (1 1/4)-12 | 1.812 | 1.625 | 1.217 | 1.812 | 14.969 | 15.88 | 1.046 | 8.229 | .125 | 8.156 | 9.000 | 5.000 | 5.35 |



MS21259



When ordering: Specify part no., direction of thread, and diameter of cable the hardware is to fit.

WIRE ROPE TERMINALS

Locking Stud MS21260

(AN669 / NAS650) CORROSION-RESISTANT STEEL

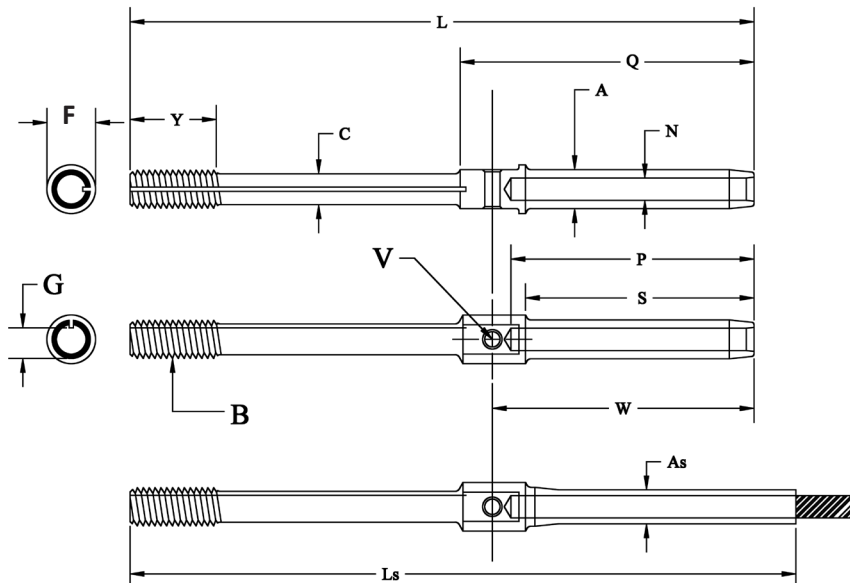
SPECIFICATIONS

| MS Part No. RH Thread | MS Part No. LH Thread | Cable Dia. | Thread B UN-3A UNF-3A | A Diam. | As Diam. | C +.006 -.000 Diam | F | G Max. Min. | L ±.063 | Ls (Ref) | N Diam. | P | Q +.031 -.016 | V ±.005 | S +.062 -.000 | W ±.016 | Y ±.047 | Lbs. per Piece | |
|--------------------------|--------------------------|---------------|-----------------------------|------------|-------------|-----------------------------|-------|-------------------|------------|-------------|------------|-------|---------------------|------------|---------------------|------------|------------|----------------------|-------|
| MS21260L2RH | MS21260L2LH | 1/16 | (# 6)-40 | .160 | .138 | .092 | .188 | .1139 | .1094 | 3.491 | 3.67 | .078 | 1.042 | 1.319 | .063 | .969 | 1.174 | .375 | .011 |
| MS21260S2RH | MS21260S2LH | 1/16 | (# 6)-40 | .160 | .138 | .092 | .188 | .1139 | .1094 | 2.616 | 2.79 | .078 | 1.042 | 1.319 | .063 | .969 | 1.174 | .375 | .01 |
| MS21260L3RH | MS21260L3LH | 3/32 | (# 10)-32 | .218 | .190 | .133 | .250 | .1638 | .1568 | 3.738 | 3.86 | .109 | 1.261 | 1.581 | .063 | 1.188 | 1.411 | .500 | .024 |
| MS21260S3RH | MS21260S3LH | 3/32 | (# 10)-32 | .218 | .190 | .133 | .250 | .1638 | .1568 | 2.863 | 2.98 | .109 | 1.261 | 1.581 | .063 | 1.188 | 1.411 | .500 | .020 |
| MS21260L4RH | MS21260L4LH | 1/8 | (1/4)-28 | .250 | .219 | .195 | .313 | .2224 | .2152 | 4.020 | 4.28 | .141 | 1.511 | 1.863 | .098 | 1.438 | 1.682 | .563 | .40 |
| MS21260S4RH | MS21260S4LH | 1/8 | (1/4)-28 | .250 | .219 | .195 | .313 | .2224 | .2152 | 3.145 | 3.40 | .141 | 1.511 | 1.863 | .098 | 1.438 | 1.682 | .563 | .0236 |
| MS21260L5RH | MS21260L5LH | 5/32 | (1/4)-28 | .297 | .250 | .195 | .313 | .2224 | .2152 | 4.314 | 4.66 | .172 | 1.761 | 2.157 | .098 | 1.688 | 1.958 | .625 | .05 |
| MS21260S5RH | MS21260S5LH | 5/32 | (1/4)-28 | .297 | .250 | .195 | .313 | .2224 | .2152 | 3.439 | 3.78 | .172 | 1.761 | 2.157 | .098 | 1.688 | 1.958 | .625 | .044 |
| MS21260L6RH | MS21260L6LH | 3/16 | (5/16)-24 | .359 | .313 | .245 | .375 | .2830 | .2754 | 4.612 | 4.78 | .203 | 2.011 | 2.455 | .098 | 1.938 | 2.237 | .750 | .086 |
| MS21260S6RH | MS21260S6LH | 3/16 | (5/16)-24 | .359 | .313 | .245 | .375 | .2830 | .2754 | 3.737 | 3.90 | .203 | 2.011 | 2.455 | .098 | 1.938 | 2.237 | .750 | .070 |
| MS21260-7RH | MS21260-7LH | 7/32 | (3/8)-24 | .427 | .375 | .306 | .438 | .3454 | .3378 | 4.914 | 5.21 | .234 | 2.261 | 2.757 | .098 | 2.188 | 2.518 | .875 | .130 |
| MS21260-8RH | MS21260-8LH | 1/4 | (3/8)-24 | .494 | .438 | .306 | .500 | .3454 | .3378 | 5.218 | 5.52 | .265 | 2.511 | 3.061 | .098 | 2.438 | 2.784 | .875 | .170 |
| MS21260-9RH | MS21260-9LH | 9/32 | (7/16)-20 | .563 | .500 | .361 | .625 | .4052 | .3972 | 5.542 | 5.90 | .297 | 2.761 | 3.385 | .098 | 2.688 | 3.076 | 1.00 | .22 |
| MS21260-10RH | MS21260-10LH | 5/16 | (1/2)-20 | .635 | .563 | .406 | .688 | .4678 | .4597 | 5.875 | 6.30 | .328 | 3.011 | 3.718 | .098 | 2.938 | 3.326 | 1.00 | .35 |
| MS21260-12RH | MS21260-12LH | 3/8 | (9/16)-18 | .703 | .625 | .476 | .750 | .5285 | .5201 | 6.608 | 7.01 | .404 | 3.511 | 4.281 | .098 | 3.438 | 3.828 | 1.125 | .50 |
| MS21260-14RH | MS21260-14LH | 7/16 | (5/8)-18 | .781 | .688 | .538 | .812 | .5909 | .5826 | 7.468 | 7.94 | .468 | 4.011 | 4.812 | .098 | 3.938 | 4.375 | 1.250 | .625 |
| MS21260-16RH | MS21260-16LH | 1/2 | (5/8)-18 | .844 | .750 | .538 | .875 | .5909 | .5826 | 8.718 | 9.28 | .531 | 4.698 | 5.562 | .125 | 4.625 | 5.093 | 1.250 | .750 |
| MS21260-18RH | MS21260-18LH | 9/16 | (3/4)-16 | .984 | .875 | .654 | 1.000 | .7137 | .7050 | 9.188 | 9.78 | .594 | 5.011 | 6.000 | .125 | 4.938 | 5.468 | 1.500 | 1.00 |
| MS21260-20RH | MS21260-20LH | 5/8 | (7/8)-14 | 1.109 | 1.000 | .768 | 1.125 | .8558 | .8266 | 10.469 | 11.16 | .656 | 5.511 | 6.750 | .125 | 5.438 | 6.093 | 1.750 | 1.50 |
| MS21260-24RH | MS21260-24LH | 3/4 | (1)-12 | 1.359 | 1.25 | .893 | 1.438 | .9608 | .9516 | 12.188 | 12.76 | .781 | 6.511 | 7.938 | .125 | 6.438 | 7.188 | 2.000 | 2.75 |
| MS21260-28RH | MS21260-28LH | 7/8 | (1 1/8)-12 | 1.593 | 1.437 | 1.002 | 1.625 | 1.0819 | 1.0772 | 12.851 | 13.61 | .921 | 7.166 | 8.601 | .125 | 7.094 | 7.846 | 2.000 | 3.90 |
| MS21260-32RH | MS21260-32LH | 1 | (1 1/4)-12 | 1.812 | 1.625 | 1.128 | 1.812 | 1.2069 | 1.1972 | 14.624 | 15.53 | 1.046 | 8.229 | 9.844 | .125 | 8.156 | 9.000 | 2.250 | 5.35 |

AN669 same as MS21260
but without slotted end



MS21260



When ordering: Specify part no., direction of thread, and diameter of cable the hardware is to fit.

WIRE ROPE TERMINALS

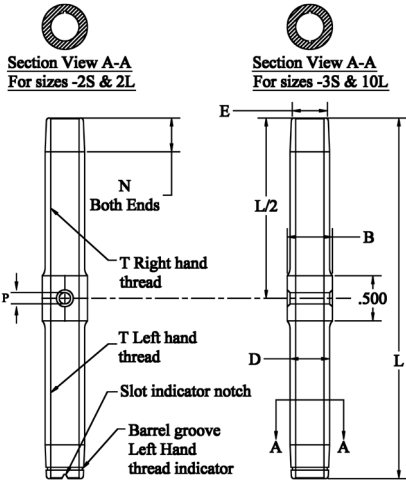


Turnbuckle Body MS21251

CLIP LOCKING (Same as NAS649)

AVAILABLE IN BRASS, STEEL, & ALUMINUM BY REQUEST.

SPECIFICATIONS



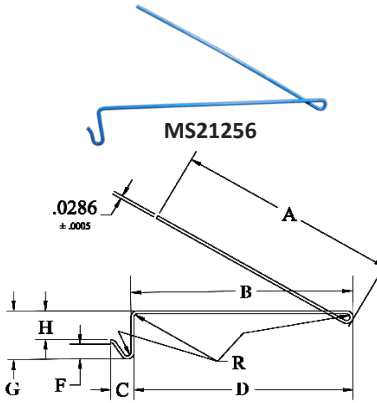
| DASH No. | | | Wire Rope Dia. Ref. | Min. Breaking Strength | Thread T UNF-38 | L ±.031 | B ±.005 Dia. | N ±.031 | D ±.005 Dia. | E ±.005 Dia. | P ±.005 | Applicable locking Clip | Lbs. Per Piece |
|----------|-------|-------|---------------------|------------------------|-----------------|---------|--------------|---------|--------------|--------------|---------|-------------------------|----------------|
| Steel | Brass | Alum. | | | | | | | | | | | |
| -2S | B2S | A2S | 1/16 | 800 | No. 6-40 | 2.25 | .250 | .156 | .219 | .188 | .125 | -1 | .018 |
| -2L | B2L | A2L | | | | 4.000 | | | | | | | |
| -3S | B3S | A3S | 3/32 | 1600 | No. 10-32 | 2.250 | .344 | .188 | .281 | .250 | | -1 | .031 |
| -3L | B3L | A3L | | | | 4.000 | | | | | | | |
| -5S | B5S | A5S | 5/32 | 3200 | 1/4-28 | 2.250 | .438 | .312 | .391 | .328 | | -1 | .052 |
| -5L | B5L | A5L | | | | 4.000 | | | | | | | |
| -6S | B6S | A6S | 3/16 | 4600 | 5/16-24 | 2.250 | .500 | .375 | .438 | .406 | | -1 | .063 |
| -6L | B6L | A6L | | | | 4.000 | | | | | | | |
| -8L | B8L | A8L | 1/4 | 8000 | 3/8-24 | 4.000 | .625 | .500 | .594 | .469 | | -2 | .409 |
| -9L | B9L | A9L | 9/32 | 12500 | 7/16-20 | 4.25 | .750 | .594 | .688 | .563 | | -3 | .296 |
| -10L | B10L | A10L | 5/16 | 17500 | 1/2-20 | | .875 | .656 | .813 | .625 | -3 | .413 | |

Clip, Locking Turnbuckle MS21256

(Same as NAS651, Boeing BACC15AJ and Loos B15AJ)

CORROSION-RESISTANT STEEL

SPECIFICATIONS



| Dash No. | A | B | C +.010 -.015 | D | F | G | H | R RAD | Lbs. Per 1000 |
|----------|-------|-------|---------------------|-------|------|------|------|----------|---------------|
| -1 | .965 | 1.115 | .150 | 1.078 | .125 | .300 | .165 | .032 | .466 |
| -2 | 1.875 | 2.000 | | 1.955 | | .315 | .180 | | .59 |
| -3 | 2.045 | 2.140 | .215 | 2.015 | .150 | .430 | .275 | | .905 |

MS21252C 17-4PH Stainless Steel

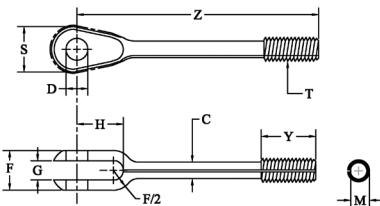
(Same as NAS645) (Replaces AN161)

ALSO AVAILABLE IN 4130 HT CADMIUM-PLATED

SPECIFICATIONS



MS21252C



| Dash No. | J Wire Rope Dia. Ref. | Min. Breaking Strength | Thread T UNF-3A | C +.006 -.000 | D +.002 -.000 Dia. | F +.010 -.0005 | G +.010 -.000 Dia. | H | M | | S Sper Dia. | Y ±.047 | Z ±.047 | |
|----------|--------------------------|------------------------|-----------------|---------------------|-----------------------------|----------------------|-----------------------------|------|-------|-------|----------------|------------|------------|-------|
| | | | | | | | | | Max | Min | | | | |
| 2RS | 2LS | 1/16 | 800 | No. 6-40 | .094 | .190 | .250 | .109 | .375 | .1139 | .1094 | .375 | .375 | 1.500 |
| 3RS | 3LS | 3/32 | 1600 | No. 10-32 | .133 | .190 | .319 | .156 | | .1638 | .1568 | .500 | .500 | 1.625 |
| 3RL | 3LL | | | | | | | | | | 2.500 | | | |
| 4RS | 4LS | 1/8 | 2200 | 1/4-28 | .189 | .190 | .383 | .195 | .531 | .2224 | .2152 | .547 | .563 | 1.844 |
| 4RL | 4LL | | | | | | | | | | | | | 2.734 |
| 5RS | 5LS | 5/32 | 3200 | 1/4-28 | .189 | .250 | .452 | .218 | .531 | .2224 | .2152 | .641 | .625 | 1.844 |
| 5RL | 5LL | | | | | | | | | | | | | 2.734 |
| 6RS | 6LS | 3/16 | 4600 | 5/16-24 | .243 | .313 | .547 | .250 | .656 | .2830 | .2754 | .734 | .750 | 2.031 |
| 6RL | 6LL | | | | | | | | | | | | | 2.906 |
| 8RL | 8LL | 1/4 | 8000 | 3/8-24 | .306 | .375 | .687 | .312 | .875 | .3454 | .3378 | .922 | .875 | 3.188 |
| 9RL | 9LL | 9/32 | 12500 | 7/16-20 | .362 | .438 | .750 | .375 | 1.00 | .4052 | .3972 | 1.094 | 1.00 | 3.438 |
| 10RL | 10LL | 5/16 | 17500 | 1/2-20 | .425 | .500 | .844 | .437 | 1.188 | .4678 | .4597 | 1.219 | | 3.688 |

When ordering: Specify part no., direction of thread, and diameter of cable the hardware is to fit.

WIRE ROPE TERMINALS

MS21254C 17-4PH STAINLESS STEEL

ALSO AVAILABLE IN 4130 HT CADMIUM-PLATED

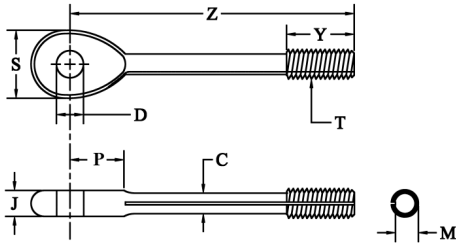
(Same as NAS648) (Replaces AN165)

SPECIFICATIONS



MS21254C

NOTE: Use Dash -5 parts with 1/8" diameter wire rope



| DASH No. direction of Thread | | J Wire Rope Dia. Ref. | Min. Breaking Strength | Thread T UNF-3A | C +.006 -.000 | D +.002 -.000 Dia. | J ±.005 | M | | S Dia. | Y ±.047 | Z +.031 -.015 | P ±.031 |
|------------------------------|------|-----------------------|------------------------|-----------------|---------------|--------------------|---------|-------|-------|--------|---------|---------------|---------|
| RH | LH | | | | | | | Max | Min | | | | |
| 2RS | 2LS | 1/16 | 800 | No. 6-40 | .094 | .190 | .125 | .1139 | .1094 | .375 | .375 | 1.500 | .325 |
| 2RL | 2LL | | | | | | | 2.375 | 1.625 | | | | |
| 3RS | 3LS | 3/32 | 1600 | No. 10-32 | .133 | | .188 | .1638 | .1568 | .500 | .500 | 2.500 | .416 |
| 3RL | 3LL | | | | | | | 2.500 | 1.750 | | | | |
| 5RS | 5LS | 5/32 | 3200 | 1/4-28 | .189 | .250 | .219 | .2224 | .2152 | .625 | .625 | 2.625 | .512 |
| 5RL | 5LL | | | | | | | 2.625 | 1.875 | | | | |
| 6RS | 6LS | 3/16 | 4600 | 5/16-24 | .243 | .313 | .281 | .2830 | .2754 | .688 | .750 | 2.750 | .527 |
| 6RL | 6LL | | | | | | | 2.750 | 2.875 | | | | |
| 8RL | 8LL | 1/4 | 8000 | 3/8-24 | .306 | .375 | .328 | .3454 | .3378 | .875 | .875 | 2.875 | .678 |
| 9RL | 9LL | 9/32 | 12500 | 7/16-20 | .362 | .438 | .375 | .4052 | .3972 | 1.063 | 1.000 | 3.375 | .831 |
| 10RL | 10LL | 5/16 | 17500 | 1/2-20 | .425 | .500 | .469 | .4678 | .4597 | 1.188 | 1.000 | 3.625 | .900 |

MS21255C 17-4PH STAINLESS STEEL

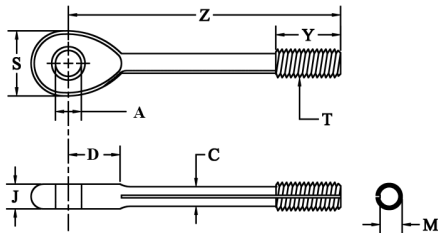
ALSO AVAILABLE IN 4130 HT CADMIUM-PLATED

(Same as NAS647) (Replaces AN170)

SPECIFICATIONS



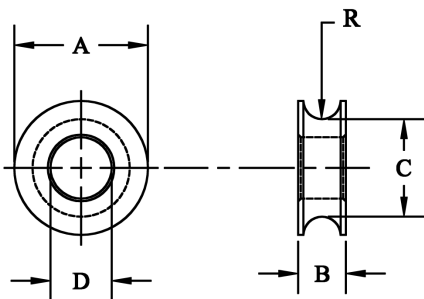
MS21255C



| Dash No. Direction of Thread | | Cable Dia. | Min Breaking Strength LB | Thread T UNF-3A | A +.010 -.000 Dia. | C +.006 -.000 | D ±.031 | J ±.005 | M | | S Dia. | Y ±.047 | Z +.031 -.015 |
|------------------------------|------|------------|--------------------------|-----------------|--------------------|---------------|---------|---------|-------|-------|--------|---------|---------------|
| RH | LH | | | | | | | | Max | Min | | | |
| 2RS | 2LS | 1/16 | 800 | 6-40 | .188 | .094 | .325 | .125 | .1139 | .1094 | .375 | .375 | 1.500 |
| 2RL | 2LL | | | | | | | | 2.375 | 1.625 | | | |
| 3RS | 3LS | 3/32 | 1600 | 10-32 | .219 | .133 | .416 | .188 | .1638 | .1568 | .500 | .500 | 2.500 |
| 3RL | 3LL | | | | | | | | 2.500 | 1.750 | | | |
| 5RS | 5LS | 5/32 | 3200 | 1/4-28 | .281 | .189 | .512 | .219 | .2224 | .2152 | .625 | .625 | 2.625 |
| 5RL | 5LL | | | | | | | | 2.625 | 1.875 | | | |
| 6RS | 6LS | 3/16 | 4600 | 5/16-24 | .313 | .243 | .527 | .281 | .2830 | .2754 | .688 | .750 | 2.750 |
| 6RL | 6LL | | | | | | | | 2.750 | 2.875 | | | |
| 8RL | 8LL | 1/4 | 8000 | 3/8-24 | .375 | .306 | .678 | .328 | .3454 | .3378 | .875 | .875 | 2.875 |
| 9RL | 9LL | 9/32 | 12500 | 7/16-20 | .469 | .362 | .831 | .375 | .4052 | .3972 | .1063 | 1.000 | 3.375 |
| 10RL | 10LL | 5/16 | 17500 | 1/2-20 | .563 | .425 | .900 | .469 | .4678 | .4597 | 1.188 | 1.000 | 3.625 |



AN111



AN111 CABLE BUSHING

SPECIFICATIONS

AN111 - CORROSION-RESISTANT STEEL

| PART # | Cable Diameter | A Dia. | B +/- | C Dia. | D +/- | R Rad. +/- |
|----------|----------------|--------|-------|--------|-------|------------|
| AN111-C3 | 1/16, 3/32 | .437 | .156 | .343 | .187 | .046 |
| AN111-C4 | 1/8 | .468 | .187 | .343 | .187 | .062 |
| AN111-C5 | 5/32 | .562 | .218 | .406 | .250 | .078 |
| AN111-C6 | 3/16 | .687 | .250 | .500 | .312 | .093 |

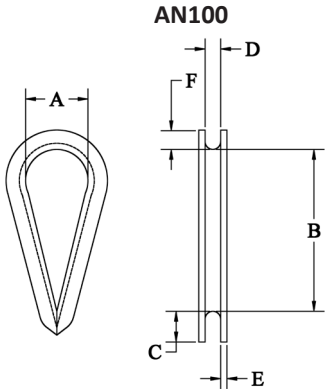
When ordering: Specify part no. and diameter of cable hardware it is to fit.

© Loos & Co., Inc. - 2023
901 Industrial Blvd., Naples FL 34104

WIRE ROPE TERMINALS



AN100 THIMBLES



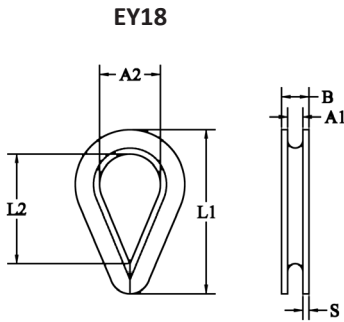
| Cold Rolled Steel Zinc-Plated | Stainless Steel Part No. | To fit Cable Dia. | A | B | Dimensions | | | | Wt. Per 1,000 |
|----------------------------------|-----------------------------|------------------------|-------|---------|------------|-------|------|-------|------------------|
| | | | | | C | D | E | F | |
| AN100-3 | AN100-C3 | 3/64, 1/16, 5/64, 3/32 | .350 | 45/64 | 3/16 | 3/32 | .032 | 5/64 | 1.5 |
| AN100-4 | AN100-C4 | 3/32, 7/64, 1/8 | .350 | 45/64 | 7/32 | 9/64 | .032 | 5/64 | 4.3 |
| AN100-5 | AN100-C5 | 5/32 | .400 | 51/64 | 7/32 | 11/64 | .032 | 7/64 | 6 |
| AN100-6 | AN100-C6 | 3/16 | .500 | 1 | 5/16 | 13/64 | .032 | 9/64 | 9.8 |
| AN100-8 | AN100-C8 | 7/32, 1/4 | .700 | 1-13/32 | 13/32 | 17/64 | .032 | 11/64 | 15 |
| AN100-10 | AN100-C10 | 9/32, 5/16 | .900 | 1-51/64 | 7/16 | 21/64 | .040 | 7/32 | 35 |
| AN100-12 | AN100-C12 | 3/8 | 1.000 | 2 | 5/8 | 25/64 | .060 | 17/64 | 85 |

AN thimbles come in either cold-rolled steel (zinc-plated) or stainless steel (natural finish). Fit cable diameters from 1/16" to 3/8" to meet the most demanding marine, aircraft or industrial requirements.



HEAVY-DUTY STAINLESS STEEL THIMBLES EY18

(Type 316 Stainless Steel)

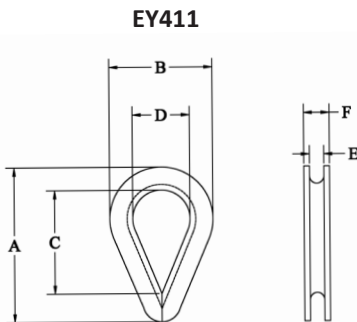


| Part No. | To Fit Cable Dia. | A1 | A2 | B | L1 | L2 | Thickness Comparison | | Weight Each and Comparison | |
|----------|-------------------------|------|-------|------|--------|--------|-------------------------|----------------|-------------------------------|---------|
| | | | | | | | Heavy- Duty (S) | AN Type (E) | Heavy- Duty | AN Type |
| EY18-3 | 3/32 | 1/8 | 3/8 | 3/16 | 7/8 | 5/8 | 1/32 | 1/32 | .41 | .36 |
| EY18-4 | 1/8 | 5/32 | 3/8 | 7/32 | 1 | 11/16 | 1/32 | 1/32 | .65 | .43 |
| EY18-5 | 5/32 | 3/16 | 7/16 | 9/32 | 1 1/8 | 3/4 | 3/64 | 1/32 | 1.16 | .57 |
| EY18-6 | 3/16 | 7/32 | 1/2 | 5/16 | 1 1/4 | 7/8 | 3/64 | 1/32 | 1.45 | .99 |
| EY18-8 | 1/4 | 9/32 | 19/32 | 3/8 | 1 1/2 | 1 1/16 | 1/16 | 1/32 | 2.51 | 1.61 |
| EY18-9 | 9/32 | 5/16 | 3/4 | 7/16 | 1 3/4 | 1 1/4 | 1/16 | 1/32 | 4.52 | 3.23 |
| EY18-10 | 5/16 | 3/8 | 7/8 | 1/2 | 2 | 1 1/2 | 5/64 | 3/64 | 5.72 | 3.23 |
| EY18-12 | 3/8 | 7/16 | 15/16 | 9/16 | 2 5/16 | 1 3/4 | 5/64 | 3/64 | 7.11 | 7.93 |
| EY18-16 | 1/2 | 9/16 | 1 1/8 | 3/4 | 2 3/4 | 2 1/8 | 3/32 | 1/16 | 14.01 | - |

NOTE: EY18-3 will fit 1/16" wire rope, EY18-6 will fit 7/32" wire rope



STANDARD GALVANIZED WIRE ROPE THIMBLES EY411



| Pat No. | Cable Dia. | A | B | C | D | F | E | Wt. Lbs. per |
|-------------|------------|---------|---------|---------|--------|---------|-------|-----------------|
| EY411-4 | 1/8 | 2 | 1-1/8 | 1-3/8 | 5/8 | 9/32 | 5/32 | 3.5 |
| EY411-6 | 3/16 | 2 | 1-1/8 | 1-3/8 | 5/8 | 11/32 | 1/4 | 3.5 |
| EY411-8 | 1/4 | 2 | 1-1/8 | 1-7/16 | 11/16 | 3/8 | 5/16 | 3.5 |
| EY411-10 | 5/16 | 2-1/8 | 1-1/4 | 1-1/2 | 13/16 | 15/32 | 3/8 | 5 |
| EY411-12 | 3/8 | 2-3/8 | 1-1/2 | 1-11/16 | 1 | 17/32 | 7/16 | 7 |
| EY411-14/16 | 7/16, 1/2 | 2-11/16 | 1-3/4 | 1-15/16 | 1-1/8 | 11/16 | 9/16 | 13 |
| EY411-18/20 | 9/16, 5/8 | 3-1/2 | 2-3/8 | 2-1/4 | 1-7/16 | 15/16 | 11/16 | 35 |
| EY411-24 | 3/4 | 3-3/4 | 2-3/4 | 2-11/16 | 1-5/8 | 1-1/8 | 13/16 | 50 |
| EY411-28 | 7/8 | 5 | 3-1/8 | 3-9/16 | 1-7/8 | 1-9/32 | 1 | 88 |
| EY411-32 | 1 | 5-3/4 | 3-11/16 | 4-1/4 | 2-1/2 | 1-13/32 | 1-1/8 | 104 |

Non-stock items subject to reasonable delivery, depending on current manufacturing lead time.
When ordering: Specify part no. and diameter of cable hardware it is to fit.

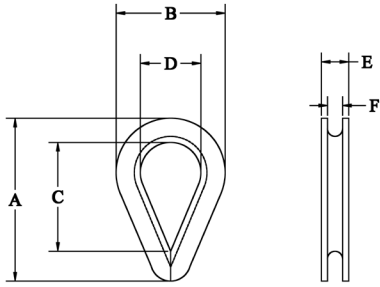
Dimensions are approximate.

WIRE ROPE TERMINALS

HEAVY-DUTY GALVANIZED WIRE ROPE THIMBLES EY414

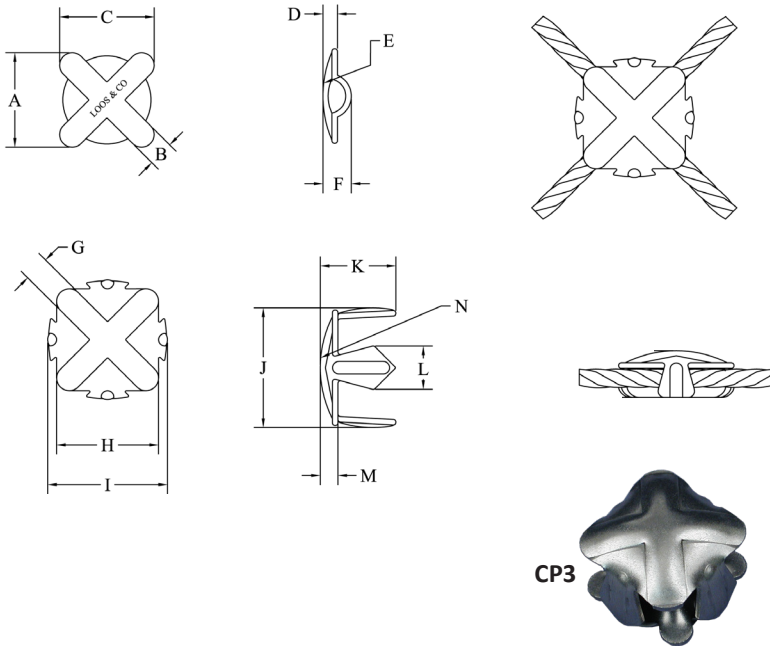


EY414



| Part No. | Cable Dia. | A | B | C | D | E | F | Wt. Lbs per 100 |
|----------|------------|-------|---------|--------|--------|---------|-------|-----------------|
| EY414-8 | 1/4 | 2-1/4 | 1-1/2 | 1-5/8 | 7/8 | 15/32 | 5/16 | 8 |
| EY414-10 | 5/16 | 2-5/8 | 1-13/16 | 1-7/8 | 1-1/16 | 17/32 | 3/8 | 14 |
| EY414-12 | 3/8 | 3 | 2-1/8 | 2-1/8 | 1-1/8 | 21/32 | 7/16 | 25 |
| EY414-14 | 7/16 | 3-1/2 | 2-5/16 | 2-5/16 | 1-1/4 | 3/4 | 1/2 | 36 |
| EY414-16 | 1/2 | 3-5/8 | 2-3/4 | 2-3/4 | 1-1/2 | 15/16 | 9/16 | 51 |
| EY414-18 | 9/16 | 3-5/8 | 2-11/16 | 2-3/4 | 1-1/2 | 15/16 | 5/8 | 51 |
| EY414-20 | 5/8 | 4-1/4 | 3-1/8 | 3-1/4 | 1-3/4 | 1-1/32 | 11/16 | 75 |
| EY414-24 | 3/4 | 5 | 3-13/16 | 3-3/4 | 2 | 1-1/4 | 13/16 | 147 |
| EY414-28 | 7/8 | 5-1/2 | 4-1/4 | 4-1/4 | 2-1/4 | 1-7/16 | 1 | 185 |
| EY414-32 | 1 | 6-1/8 | 4-15/16 | 4-1/2 | 2-1/2 | 1-11/16 | 1/18 | 300 |

WIRE ROPE NET CLIP - CP3



Net clips were designed specifically for use on steel cables. They are used by the U.S. Navy and Coast Guard to fabricate safety nets and have found wide acceptance whenever wire rope nets are needed. The one size available will accept "cross-overs" of 7x7 or 7x19 construction cable in unjacketed cable diameters of 5/32, 3/16, 7/32, and 1/4. Net clips are available in stainless steel.

Order by part number.

| Part No. | Description | Wt. per M sets |
|----------|--------------------------|----------------|
| CP3-2 | Stainless Steel Net Clip | 44.5 lbs. |

| A | B | C | D | E | F | G | H | I | J | K | L | M | N |
|-------|-----|-------|------|--------|------|-----|-------|--------|--------|-----|------|------|--------|
| 15/16 | 1/4 | 15/16 | 3/16 | 1-1/8R | 9/32 | 1/4 | 15/16 | 1-3/16 | 1-3/16 | 3/4 | 7/16 | 3/16 | 1-1/8R |

STAINLESS STEEL SAFETY/LOCKING WIRE



NET CLIP TOOL PART NO. #1-N

- Weight: 12 lbs.
- Base Height: 4"
- Base Diameter: 3.5"
- Overall height 8"



Battery Powered Wire Rope Net Clip Tool PART NO. SL-7510-CP3

- Weight: 20 lbs.
- Size: 19.1"Lx4"Hx6.5"W
- Output: 6 ton

STAINLESS STEEL SAFETY/LOCKING WIRE

Used for aircraft to secure all bolts, nuts, or hardware subject to vibrations. Better than a cotter pin, a thousand uses around the home, farm, or factory. Always available from stock in these popular sizes and packages.

TYPE 302/304 STAINLESS STEEL - CONDITION A MEETS MIL SPEC. MS20995 & GOVT. SPEC. QQW-423

| Part No. | Ft. per Spool | Lbs. per Spool |
|------------|---------------|----------------|
| SLW10B-041 | 10.00 | |
| SLWQ020 | 234.5 | 1/4 |
| SLWQ032 | 91.5 | |
| SLWQ041 | 55.75 | |
| SLW020 | 937 | 1 |
| SLW032 | 366 | |
| SLW041 | 223 | |
| SLW10-20 | 9370 | 10 |
| SLW10-32 | 3660 | |
| SLW10-41 | 2230 | |



10 ft. Spool



1/4 lb. Spool



1 lb. Spool

Non-stock items subject to reasonable delivery, depending on current manufacturing lead time.
When ordering: Specify part no. and diameter of cable hardware it is to fit.

WIRE ROPE TERMINALS

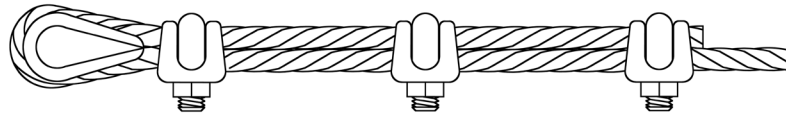
MALLEABLE WIRE ROPE CLIPS/GALVANIZED CP2



CP2

| Part Number | To Fit Cable Dia. | To give Maximum Strength | Estimated Weight per 100 in lbs. |
|-------------|-------------------|--------------------------|----------------------------------|
| CP2-4P | 1/8 | 2 | 3.0 |
| CP2-6P | 3/16 | 2 | 6.0 |
| CP2-8P | 1/4 | 3 | 12.7 |
| CP2-10P | 5/16 | 3 | 13.2 |
| CP2-12P | 3/8 | 4 | 20.4 |
| CP2-14P | 7/16 | 4 | 22.0 |
| CP2-16P | 1/2 | 4 | 35.0 |

Wire rope clips of the type on this page are not to be used on a plastic-coated cable without first stripping off plastic. Wire rope clips must be installed over bare cable only.



Right Way

Malleable, galvanized wire rope clips. Standard clips are designed for maximum holding strength. Heavy-duty construction throughout. For in between sizes such as 5/32", 7/32", etc., use next larger size clip.

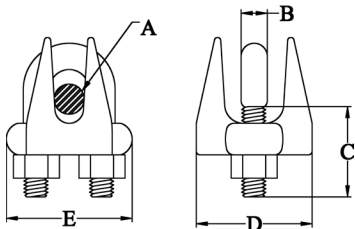
WIRE ROPE CLIPS (STAINLESS) CP7

Available in Type 304 or 316
(Ref. dimensions in inches except nut Ssize)



CP7

| Part No. | A | B | C | D | E | Weight Per 100 pcs. |
|----------|------------|-----|------|------|------|---------------------|
| CP7-2 | 1/16, 3/32 | .09 | .40 | .52 | .55 | 2 |
| CP7-4 | 1/8 | .12 | .43 | .55 | .62 | 2 |
| CP7-5 | 5/32 | .15 | .56 | .70 | .73 | 4 |
| CP7-6 | 3/16 | .19 | .67 | .78 | .87 | 6 |
| CP7-8 | 7/32, 1/4 | .23 | .75 | .84 | 1.11 | 9 |
| CP7-10 | 9/32, 5/16 | .31 | .90 | 1.06 | 1.34 | 1.7 |
| CP7-12 | 3/8 | .38 | 1.00 | 1.2 | 1.74 | 3.6 |



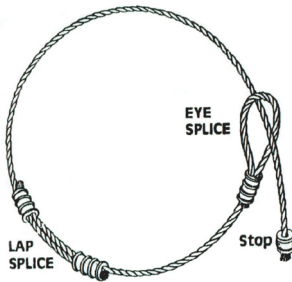
Rugged stainless steel saddles with grooved deep recess to hold cable securely. Stainless steel U-bolt and nuts. Use clips as recommended above (under "Malleable Clips") to give maximum strength.

NOTE: The nuts on these clips are metric sizes

| TO FIT CABLE DIA. | | ALUMINUM OVAL SLEEVES | COPPER OVAL SLEEVES | COPPER OVAL SLEEVES ZINC-PLATED | COPPER OVAL SLEEVES TIN-PLATED | ALUMI-NUM STOP SLEEVES | COPPER STOP SLEEVES | |
|-------------------|------------------|---|-----------------------------|---------------------------------|--------------------------------|--|---------------------------------------|--|
| 1/32 | Part No. | Available in Copper Only | SL2-1 | SL2-1P | SL2-1TP | Available in Copper Only | ST2-1 | |
| | Use Tool No. | | 000-WCI, #1-3-SBHS, or #5-H | | | | 000-WCI or #5-H | |
| | Wgt. Lbs./M pcs. | | .6 | .6 | .6 | | .8 | |
| 3/64 | Part No. | SL1-1.5 | SL2-1.5 | SL2-1.5P | SL2-1.5TP | Available in Copper Only | ST2-1.5 | |
| | Use Tool No. | 000-WCI, 0-1.5-3FS, #1-3-SBHS, 0-3/64SC, or #5-H | | | | | 000-WCI, 0-1.5-3FS, 0-3/64SC, or #5-H | |
| | Wgt. Lbs./M pcs. | .6 | 2 | 2 | 2 | | 1.5 | |
| 1/16 | Part No. | SL1-2 | SL2-2 | SL2-2P | SL2-2TP | ST1-2 | ST2-2 | |
| | Use Tool No. | 000-WCI, 0-1.5-3FS, #1-3-SBHS, 0-1/16SC, #1-BSC, #1-P, HC, SL-7NDK-R, or #5-H | | | | 000-WCI, SL-7NDK-R, or #4H | | |
| | Wgt. Lbs./M pcs. | .8 | 2.5 | 2.5 | 2.5 | .4 | 2 | |
| 3/32 | Part No. | SL1-3 | SL2-3 | SL2-3P | SL2-3TP | ST1-3 | ST2-3 | |
| | Use Tool No. | 0-1.5-3FS, 0-3/32SC, #1-3-SBHS, #1-SC, #1-P, #1-BSC, SL-7NDK-R, or #5-H | | | | 0-1.5-3-FS, 0-3/32SC, #1-SC, #1-BSC, #1-P, SL-7NDK-R, or #5-H | | |
| | Wgt. Lbs./M pcs. | 2.5 | 6 | 6 | 6 | 2.5 | 8 | |
| 1/8 | Part No. | SL1-4 | SL2-4 | SL2-4P | SL2-4TP | ST1-4 | ST2-4 | |
| | Use Tool No. | 0-1/8SC, #1-SC, #1-BSC, #1-P, SL-7NDK-R, or #5-H | | | | 0-1.5-3-FS, 0-3/32SC, #1-SC, #1-BSC, #1-P, SL-7NDK-R, or #5-H | | |
| | Wgt. Lbs./M pcs. | 5.8 | 16 | 16 | 16 | 2.3 | 7 | |
| 5/32 | Part No. | SL1-5 | SL2-5 | SL2-5P | SL2-5TP | ST1-5 | ST2-5 | |
| | Use Tool No. | 0-5/32SC, #1-SC, #1-BSC, #1-P, SL-7NDK-R, or #5-H | | | | 0-1/8SC, #1-SC, #1-BSC, #1-P, SL-7NDK-R, or #5-H | | |
| | Wgt. Lbs./M pcs. | 7 | 23 | 23 | 23 | 4 | 12 | |
| 3/16 | Part No. | SL1-6 | SL2-6 | SL2-6P | SL2-6TP | ST1-6 | ST2-6 | |
| | Use Tool No. | 0-3/16SC, #1-SC, #1-BSC, #1-P, SL-7NDK-R, or #5-H | | | | 0-1/8SC, #1-SC, #1-BSC, #1-P, SL-7NDK-R, or #5-H | | |
| | Wgt. Lbs./M pcs. | 14.5 | 53 | 53 | 53 | 3.5 | 10.5 | |
| 7/32 | Part No. | SL1-7 | SL2-7 | SL2-7P | SL2-7TP | ST1-7 | ST2-7 | |
| | Use Tool No. | 0-7/32, SL-7NDK-R, or #5-H | | | | 0-1/8SC, #1-SC, #1-BSC, #1-P, SL-7NDK-R, or #5-H | | |
| | Wgt. Lbs./M pcs. | 21 | 45.5 | 46 | 46 | 6.7 | 18.6 | |
| 1/4 | Part No. | SL1-8 | SL2-8 | SL2-8P | SL2-8TP | ST1-8 | ST2-8 | |
| | Use Tool No. | 0-1/4, #3-H, SL-7NDK-R, SL-C7510, or #5-H | | | | | | |
| | Wgt. Lbs./M pcs. | 28 | 76 | 78 | 78 | 21 | 61 | |
| 9/32 | Part No. | SL1-9 | | | | | | |
| | Use Tool No. | 0-9/32, SL-7NDK-R, or #5-H | | | | | | |
| | Wgt. Lbs./M pcs. | 28.5 | | | | | | |
| 5/16 | Part No. | SL1-10 | SL2-10 | SL2-10P | SL2-10TP | Available in Copper Only | ST2-10 | |
| | Use Tool No. | 0-5/16, #3-H, SL-7NDK-R, SL-C7510, or #5-H | | | | | 0-1/4, #3-H, #5-H, or SL-7NDK-R | |
| | Wgt. Lbs./M pcs. | 41 | 122 | 124 | 124 | | 52 | |
| 3/8 | Part No. | SL1-12 | SL2-12 | SL2-12P | SL2-12TP | Available in Copper Only | ST2-12 | |
| | Use Tool No. | SL-C7510, #3-H, or #5-H | | | | | 0-1/4, #3-H, #5-H, or SL-7NDK-R | |
| | Wgt. Lbs./M pcs. | 57 | 156 | 158 | 158 | | 44 | |
| 7/16 | Part No. | SL1-14 | SL2-14 | SL2-14P | SL2-14TP | Special lengths of either copper or aluminum oval and stop sleeves available on special order. | | |
| | Use Tool No. | SL-C7510, #3-H, or #5-H | | | | | | |
| | Wgt. Lbs./M pcs. | 116 | 282 | 284 | 284 | | | |
| 1/2 | Part No. | SL1-16 | SL2-16 | SL2-16P | SL2-16TP | | | |
| | Use Tool No. | SL-C7510, #3-H, or #5-H | | | | | | |
| | Wgt. Lbs./M pcs. | 172 | 384 | 386 | 386 | | | |

LOCOLOC® OVAL AND STOP SLEEVES

(ONLY COPPER OVAL SLEEVES CONFORM TO MILITARY SPEC. MS51844.)



Sleeves for eye, lap, and stop sleeve splicing are available in either aluminum or copper in a wide variety of sizes ranging from 1/32" to 1/2" inclusive. All oval sleeves (copper or aluminum) are capable of supporting a greater load than the rated breaking strength of the cable to which they are attached when properly applied with Locoloc® hand swager to bare cable on 3x7, 7x7, 7x19, and 6x19 constructions. Stop sleeves capable of holding only 1/3 to 1/2 of the rated breaking strength of the cable to which they are attached. All sizes and types are bulk packaged. Copper oval sleeves available either plain, zinc-, nickel-, or tin-plated. Plain copper supplied unless otherwise specified.

Aluminum Sleeves and Stops are inspected and accepted to ANSI acceptance level 6.5.

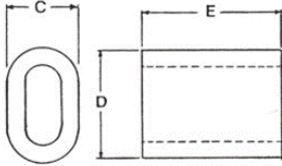
WIRE ROPE TERMINALS

LOCOLOC® STAINLESS STEEL OVAL SLEEVES SL11

Locoloc® stainless steel oval sleeves make it simple and easy to lap- and eye-splice stainless cable and wire rope. Ideal for general outdoor, marine, corrosive, and other harsh environments. Conforms to Mil-Spec MS51844.



SL11



| Part Number | Cable Dia. | Reference Dimensions | | | Use Tool Number | Approx. Part Wt. (Lbs/M) |
|-------------|------------|----------------------|--------|----------|---|--------------------------|
| | | C | D | E ± 1/32 | | |
| SL11-1 | 1/32 | 3/32 | 9/64 | 1/4 | #1-3-SBHS (DI4-1) | .40 |
| SL11-1.5 | 3/64 | 1/8 | 13/64 | 3/8 | 0-3/64SC or #5-H (DI4-1.5) | 1.6 |
| SL11-2 | 1/16 | 9/64 | 7/32 | 3/8 | 0-3/64SC or #5-H (DI4-1.5) | 1.5 |
| SL11-3 | 3/32 | 11/64 | 9/32 | 3/8 | 0-1/16SC or #5-H (DI4-2) | 1.7 |
| SL11-4 | 1/8 | 7/32 | 3/8 | 3/8 | 0-3/32SC, SL-7NDK-R, or #5-H (DI4-3) | 3.7 |
| SL11-5 | 5/32 | 5/16 | 31/64 | 47/64 | 0-1/8SC, SL-7NDK-R, or #5-H (DI4-4) | 14.1 |
| SL11-6 | 3/16 | 11/32 | 35/64 | 63/64 | 0-5/32SC, SL-7NDK-R, or #5-H (DI4-5) | 22.8 |
| SL11-7 | 7/32 | 27/64 | 21/32 | 7/8 | 0-3/16SC, SL-7NDK-R, or #5-H (DI4-6) | 31.4 |
| SL11-8 | 1/4 | 7/16 | 45/64 | 1 9/64 | 0-7/32, SL-7NDK-R, or #5-H (DI4-7) | 44.30 |
| SL11-10 | 5/16 | 9/16 | 7/8 | 1 3/8 | 0-9/32, SL-7NDK-R, SL-C7510, #3-H (HD3-8), #5-H (DI4-9) | 76.32 |
| SL11-12 | 3/8 | 5/8 | 1 1/32 | 1 3/8 | SL-7NDK-R, SL-C7510, or #5-H (DI4-10) | 102.50 |

LOCOLOC® THIN WALL ALUMINUM OVAL SLEEVES FOR ROPE - SL1- R

For use on hemp, manilla, nylon, dacron, cotton, and all types of fiber or synthetic ropes, bungee cord, and plastic-coated cables. Note: We neither guarantee nor do we imply the holding strength of these sleeves because the breaking strength of the various materials on which they are used, the physical properties, tensile strengths, hardness, stretch factors, and end uses are too vast and varied to cover all applications. We will supply samples for you to test or will perform test if you supply samples of material on which you wish to use these sleeves and will determine maximum holding strengths for your specific application. Length of sleeves can be extended to increase holding strengths or multiple sleeves can be used to develop greater holding strengths.



SL1- R

| Part No. | To fit Rope Diam. | Use Locoloc® Tool No. | Standard Length: | Wgt. Per M/Pcs. |
|----------|-------------------|----------------------------------|------------------|-----------------|
| SL1-3R | 1/8 | #1-SC, 0-3/32SC, or #5-H (DI4-3) | 1/2 | 2 lbs. |
| SL1-4R | 5/32 | #1-SC, 0-1/8SC, or #5-H (DI4-4) | 5/8 | 3.7 lbs. |
| SL1-5R | 3/16 | #1-SC, 0-5/32SC, or #5-H (DI4-5) | 11/16 | 4.7 lbs. |
| SL1-6R | 1/4 | #1-SC, 0-3/16SC, or #5-H (DI4-6) | 1 | 9.2 lbs. |
| SL1-7R | 5/16 | 0-7/32SC, #5-H (DI4-7) | 1-1/16 | 14.7 lbs. |
| SL1-8R | 3/8 | #5-H (DI4-8) | 1-1/8 | 15.7 lbs. |
| SL1-10R | 7/16 | #5-H (DI4-10) | 1-1/4 | 28.6 lbs. |
| SL1-12R | 1/2 | #5-H (DI4-12) | 1-7/16 | 39 lbs. |

When ordering: Specify part no. and diameter of cable hardware it is to fit. Aluminum Sleeves and Stops are inspected and accepted to ANSI acceptance level 6.5.



GA-4 (Front)



GA-4 (Back)

CABLE DIAMETER GAUGE

To quickly determine diameter of any cable (up to and including 3/8" or 10 mm) this simple gauge does the trick. Merely slip it over a cable and when the cable fits snugly in the "V" slot, note the diameter printed on the gauge. One side reads in fractions of an inch, the other side in millimeters.

Very inexpensive insurance to eliminate using wrong size cable. Order several for all your workmen. Easily carried in pocket or wallet. Lightweight and corrosion-resistant.

| Part No. | Wgt. Ea |
|----------|---------|
| GA-4 | 1/4 oz |

These gauges make ideal "give away" items for advertising purposes. We will supply them in quantity at very inexpensive cost, in your colors and with your message. Write for details.

LOCOLOC® HANDSWAGERS

Eye, lap and stop sleeve splicing of cables up to 1/2" diameter are made sure and easy with the new hand swagers. Design features "over-center" leverage, which transmits a powerful snap-action to the final thrust of the jaws... assures a tight, clean compression every time. Easy adjustment. Individual replacement parts are available for all models. Parts list included with each tool. Gauge included with each tool.

LOCOLOC® 000-WCI HAND SWAGER



Small, compact, can be carried in your pocket. Swages 1/32", 3/64", and 1/16" copper or aluminum oval and stop sleeves only. Has built in cable cutter. Packaged in plastic pouch. 10" long, wt. 12 oz.

LOCOLOC® 0-1.5-3FS HAND SWAGER



Swages 3/64", 1/16" and 3/32" oval and stop sleeves, plus 1/8" stop sleeves. Full width jaws allow you to do full swages with only one compression. 14" long, 3.6 lbs.

LOCOLOC® #1-3-SBHS HAND SWAGER



This tool is an outstanding small handheld tool, and it does a great job of swaging small sleeves. This is a (4) cavity tool, swaging sleeve sizes 1/32", 3/64", 1/16", and 3/32". Ratchet mechanism will not release until swage is complete. Swages copper and aluminum sleeves only. Usage instructions and swage gauge included in each tool. 12" long.

LOCOLOC® #0-3-SBHS-R HAND SWAGER



This tool is an outstanding small handheld tool, and it does a great job of swaging small sleeves. This is a (1) cavity tool, swages sleeve size 3/32" copper and aluminum sleeves. Ratchet mechanism will not release until swage is complete.

LOCOLOC® HANDSWAGERS

LOCOLOC® 0-SC HAND SWAGERS

Single compression die for oval and stop sleeve swaging.

P/N: **0-3/64SC** - swages 3/64" oval and stop sleeves, plus 3/64" and 1/16" stainless steel oval sleeves.

P/N: **0-1/16SC** - swages 1/16" oval and stop sleeves, plus 3/32" stainless steel oval sleeves.

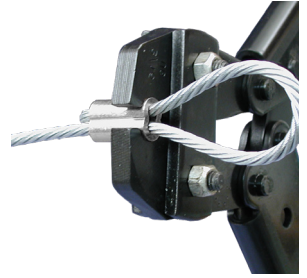
P/N: **0-3/32SC** - swages 3/32" oval and 3/32", 1/8" stop sleeves, plus 1/8" stainless steel oval sleeves.

P/N: **0-1/8SC** - swages 1/8" oval and 5/32", 3/16", 7/32" stop sleeves plus 5/32 stainless steel sleeves.

P/N: **0-5/32SC** - swages 5/32" oval sleeves and 3/16 stainless steel.

P/N: **0-3/16SC** - swages 3/16" oval sleeves and 7/32 stainless steel

All No. 0-SC tools - 20" long, wt. 4.2 lbs.



LOCOLOC® 0- HAND SWAGERS

Single compression die for oval and stop sleeve swaging.

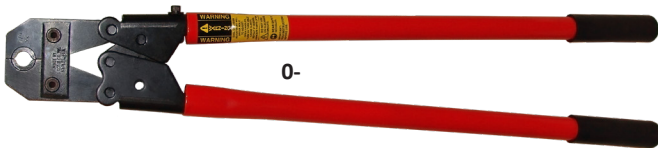
P/N: **0-7/32** - swages 7/32" oval sleeves and 1/4" stainless steel sleeves.

P/N: **0-1/4** - swages 1/4" oval and 1/4", 9/32", 5/16" stop sleeves & 3/8" stops.

P/N: **0-9/32** - swages 9/32" oval sleeves and 5/16" stainless steel sleeves.

P/N: **0-5/16** - swages 5/16" oval sleeves.

All No. 0 tools - 28" long, wt. 5 lbs.



LOCOLOC® #1-SC HAND SWAGER

Multi-compression hand swager with cable cutter. Swages 1/16", 3/32", 1/8", 5/32" and 3/16" oval and stop sleeves, plus 7/32" stop sleeves, total of 11 sizes plus the ability to cut up to 7/32" diameter aircraft quality steel cable. A tool with a dozen functions! 26" long, wt. 6.5 lbs.

For Stainless Steel sleeves use "0" tool.



LOCOLOC® #1-BSC BENCH SWAGER

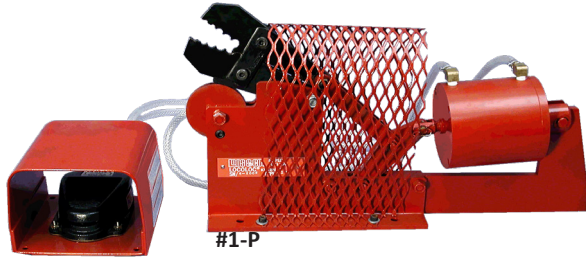
For in-shop, one-location jobs. Multi-compression jaws swage 1/16", 3/32", 1/8", 5/32", and 3/16" oval and stop sleeves plus 7/32" stop sleeves. 22.5" long, 6.25" high (24" high with handle up), 6.6 lbs.

This tool is for Copper and Aluminum only.



LOCOLOC® HANDSWAGERS

LOCOLOC® #1-P PNEUMATIC SWAGER



The #1 Pneumatic Swager eliminates hand labor and automates swaging of Locoloc® oval and stop sleeves.

Utilizing the jaws of the #1-SC, the #1-Pneumatic Swager will swage all 1/16", 3/32", 1/8", 5/32", and 3/16" oval and stop sleeves plus 7/32" stop sleeves.

Foot switch operation allows free movement of hands and quick connect to your air supply. Operates on standard air supply (140 psi, minimum). 20" long, 11" high, 27.5 lbs.

This tool is for Copper and Aluminum only.

LOCOLOC® AZP KIT / CSS KIT / MSS KIT



Contains #1-SC hand swager, a C7 cable cutter, assortment of stop and oval sleeves, assortment of thimbles. Swages sizes from 1/16" to 3/16". Packaged in rugged steel tool box. Supplied with aluminum sleeves and zinc-plated steel thimbles or with copper sleeves and stainless steel thimbles.

Model No. Type

AZP Kit.....Aluminum & Zinc-Plated

CSS Kit.....Copper & Stainless Steel

MSS Kit.....Tin & Zinc-Plated

AZP KIT CONTAINS

| | | |
|-------------------------------|-----------------------------------|----------------------------|
| 1 - #1-SC Hand swager | 1 - C7 Cable Cutter | 100 - 1/16 Alum. Oval Slv. |
| 100 - 3/32 Alum. Oval Slv. | 50 - 1/8 Alum. Oval Slv. | 40 - 5/32 Alum. Oval Slv. |
| 20 - 3/16 Alum. Oval Slv. | 100 - 1/16 Alum. Stop Slv. | 50 - 1/8 Alum. Stop Slv. |
| 20 - 3/16 Alum. Stop Slv. | 100 - 3/32 Alum. Oval Slv. | 40 - 5/32 Alum. Stop Slv. |
| 20 - 3/16 Thimbles Zinc Pltd | 100 - 1/16 Thimbles Zinc Pltd. | 1 - Steel Tool Box |
| 40 - 5/32 Thimbles Zinc Pltd. | 50 - 3/32-1/8 Thimbles Zinc Pltd. | 1 - Gauge GA-1P |

Shipping weight (Entire Kit) : 20lbs.

CSS KIT CONTAINS

| | | |
|-----------------------------|----------------------------------|-----------------------------|
| 1 - #1-SC Hand swager | 1 - C7 Cable Cutter | 100 - 1/16 Copper Oval Slv. |
| 100 - 3/32 Copper Oval Slv. | 100 - 3/32 Copper Stop Slv. | 40 - 5/32 Copper Oval Slv. |
| 20 - 3/16 Copper Stop Slv. | 100 - 1/16 Thimbles Stainless | 20 - 3/16 Copper Oval Slv. |
| 100 - 1/16 Copper Stop Slv. | 20 - 3/16 Thimbles Stainless | 50 - 1/8 Copper Stop Slv. |
| 50 - 1/8 Copper Oval Slv. | 50 - 3/32-1/8 Thimbles Stainless | 1 - Steel Tool Box |
| 40 - 5/32 Copper Stop Slv. | 40 - 5/32 Thimbles Stainless | 1 - Gauge GA-1P |

Shipping weight (Entire Kit): 20lbs.



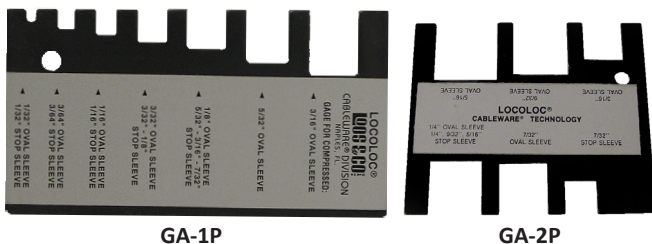
MSS KIT CONTAINS

| | | |
|--------------------------------------|---------------------------------------|---------------------------------------|
| 1 - #1-SC Hand swager | 1 - C7 Cable Cutter | 200 - 1/16 Copper Oval Slv. |
| 100 - 3/32 Copper Oval Slv. | 100 - 3/32 Copper Stop Slv. | 50 - 1/8 Copper Oval Slv. |
| 200 1/16 Tin Pltd Copper Oval Slv. | 100 - 3/32 Tin Pltd Copper Oval Slv. | 100 - 3/32 Tin Pltd Copper Oval Slv. |
| 50 - 1/8 Tin Pltd Copper Oval Slv. | 200 - 1/16 Zinc Pltd Copper Oval Slv. | 100 - 3/32 Zinc Pltd Copper Oval Slv. |
| 100- 3/32 Zinc Pltd Copper Oval Slv. | 50 - 1/8 Zinc Pltd Copper Oval Slv. | 50 3/64-3/32 Thimbles Stainless |
| 50 - 3/32-1/8 Thimbles Stainless | 1 - Steel Tool Box | 1 - Gauge GA-1P |

Shipping weight (Entire Kit): 20lbs.

Replacement hardware for swaging kits may be priced from quantity price column for each type of hardware offered.

LOCOLOC® SLEEVE GAUGES



GA-1P

GA-2P

GA-1P: Gauges all swages performed by 000-WCI, 1-3SBHS 0-SC, and #1 tools (1/32", 3/64", 1/16", 3/32", 1/8", 5/32", and 3/16" oval and stop sleeves).

GA-2P: Gauges all swages performed by No. 0-SC tools (7/32", 1/4", 9/32", and 5/16").

To assure proper swaging of Locoloc® aluminum, copper, and stainless steel sleeves with Locoloc® tools, these simple Go/No-Go gauges will determine if your tools are out of adjustment or alignment.

When the proper slot in the gauge slips over the compressed area of the sleeve after swaging, then your swage is satisfactory.

If the proper slot does not fit over the compressed area of the sleeve after swaging then your tool is out of adjustment and your cable assembly will not hold the rated breaking strength of the cable.

Stop sleeves must also be properly compressed and gauged to reach their rated loads which is 1/3 to 1/2 the breaking strength of the cable, depending on cable diameter.

The Locoloc® sleeve gauges will measure all oval or stop sleeves used on cable diameters 1/32" through 5/16".

LOCOLOC® HANDSWAGERS

LOCOLOC® #3-H HYDRAULIC HAND SWAGER



LOCOLOC® #3-H

Exerts 12 tons of pressure. A few strokes of the handle brings the dies from wide open to contact with the fitting to be swaged. Then an internal valve automatically shifts from the low pressure pump stage to the high pressure compression stage. A relief valve prevents over-compression.

The advanced-retract control for the ram is located in the moveable handle. It is operated by twisting the handle less than a 1/4 turn. Full visibility of the working area is afforded by the narrow, 180 degree swivel "C" head, making it easy to position the dies on the fitting.

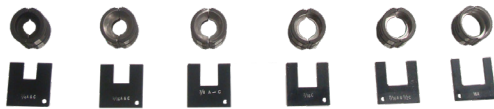
Very rugged, yet portable, this hydraulic hand swaging press with interchangeable dies is for compressing aluminum or copper oval sleeves on 1/4", 9/32", 5/16", 3/8", 7/16", and 1/2" diameter cable and wire rope, plus aluminum or copper stop sleeves on 1/4", 9/32", 5/16", and 3/8" diameter cable and wire rope. Gauge supplied with each die.

#3 LOCOLOC® hand swager is 24" long, weighs 15 lbs. (Dies weigh 1 lb. each, and comes with carrying box.)



Available in complete kit, #3-K. (see below)

LOCOLOC® #3-K HYDRAULIC HAND SWAGER KIT



#3-H DIES

| Die Part No. | To Swage |
|--------------|--|
| HD3-8 | 1/4 Copper or Aluminum Oval; 1/4, 9/32, 5/16, & 3/8 stop sleeves |
| HD3-10 | 5/16 Copper or Aluminum Oval Sleeve |
| HD3-12 | 3/8 Copper or Aluminum Oval Sleeve |
| HD3-14C | 7/16 Copper Oval Sleeve |
| HD3-14A16C | 7/16 Aluminum Oval and 1/2 Copper Oval Sleeves |
| HD3-16A | 1/2 Aluminum Oval Sleeve |

*HD3-6 and HD3-7 are available upon request

¹Stainless Steel Dies are available upon request

LOCOLOC® BATTERY SWAGING TOOLS

LOCOLOC® SL-7NDK-R BATTERY-POWERED HAND SWAGER



Single-cavity jaw, with interchangeable dies. Swages aluminum and copper oval sleeves for 1/16", 3/32", 1/8", 5/32", 3/16", 7/32", 1/4", 9/32" and 5/16" size wire rope

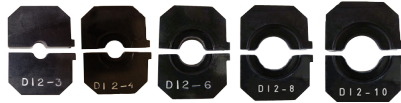
- Operates in Confined Spaces
- 6 Ton Output
- Accepts "W" Type Dies
- One-Hand Operation
- Fully-Enclosed, Weather-Resistant Housing
- LED Work Lights
- 180° Rotational Head

SL-7NDK-R

Length: 15.8"
Weight: 5.9 lbs
with battery
Output: 6 Ton

STANDARD ACCESSORIES INCLUDED:

- 1 Carrying Case
- 1 Battery Charger
- 2 BP-185 Lithium Ion Batteries
- 1 Carrying Strap



SL-7NDK-R Dies (sold separately)

| Loos P/N | Description |
|----------|--|
| DI2-2 | Die for 1/16 copper & aluminum sleeves |
| DI2-3 | Die for 3/32 copper & aluminum sleeves |
| DI2-4 | Die for 1/8 copper & aluminum sleeves |
| DI2-5 | Die for 5/32 copper & aluminum sleeves |
| DI2-6 | Die for 3/16 copper & aluminum sleeves |
| DI2-7 | Die for 7/32 copper & aluminum sleeves |
| DI2-8 | Die for 1/4 copper & aluminum sleeves |
| DI2-9 | Die for 9/32 copper & aluminum sleeves |
| DI2-10 | Die for 5/16 copper & aluminum sleeves |

* Special dies for Loos & Co. stainless steel sleeves only are available upon request.

LOCOLOC® SL-C7510 BATTERY-POWERED HAND SWAGER



Single-cavity jaw, with interchangeable dies. Swages aluminum and copper oval sleeves for 1/4", 5/16", 3/8", 7/16" and 1/2" size wire rope

- 12 Ton Output
- Accepts all 12-Ton "U" Type Dies
- One-Hand Operation
- Fully-Enclosed, Weather-Resistant Housing
- 180° Rotational Head
- LED Work Lights

SL-C7510

Length: 19.7"
Wide: 4.0"
Height: 6.4"
Weight: 15.2 lbs.

STANDARD ACCESSORIES INCLUDED:

- 1 Carrying Case
- 1 Battery Charger
- 2 BP-185 Lithium Ion Batteries
- 1 Carrying Strap

SL-C7510 Dies (sold separately)

| Loos Part No | Description |
|---|---|
| HD3-8 | 1/4 copper or aluminum oval sleeves |
| HD3-10 | 5/16 copper or aluminum oval sleeves, or 3/8 SS sleeves |
| HD3-12 | 3/8 copper or aluminum oval sleeves |
| HD3-14C | 7/16 copper oval sleeves |
| HD3-14A16C | 7/16 aluminum oval and 1/2 copper oval sleeves |
| HD3-16A | 1/2 aluminum oval sleeves |
| *HD3-6 is available upon request | |

** Special dies for Loos & Co. stainless steel sleeves only are available upon request.

LOCOLOC® BATTERY CABLE CUTTERS



LOCOLOC® HC-S724H BATTERY-POWERED CABLE CUTTER

Cuts up to 7/8" wire rope.

- Rotational Head
- Works in Any Position
- 180° Rotational Head

Locoloc® HC-S724H

Weight: 11 lbs.

Output: 8 Ton

Jaw Opening: .95"

Size: 13.2" L x 14.7" H x 3.3"W

Note: Replacement Blade P/N: 24-08

LOCOLOC® SL-S720 BATTERY-POWERED CABLE CUTTER

Cuts up to 5/8" wire rope.

- Flip-Top Latching Head
- Rapid Advance
- Tested UP to 75kV
- One Hand Operation
- 180° Rotational Head



Locoloc® SL-S720

Weight: 7.7 lbs

Size: 15.5"L x 4.8"H x 3.1"W

Jaw Opening: .75"

Output: 6 Ton

Note: Replacement Blade P/N: 20-07

All Standard BATTERY-OPERATED TOOLS Include:



CARRYING CASE

- 1 Carrying Case
- 1 Battery Charger
- 2 BP-185 Lithium Ion Batteries
- 1 Carrying Strap



BATTERY CARTRIDGE



BATTERY CHARGER

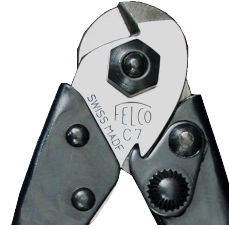
PRECISION CABLE CUTTERS

Swiss-made FELCO® cutters are recognized around the world for their precision and cutting capabilities. Lightweight enough for overhead cutting yet strong enough for underwater work. Plastic-coated handles afford a firm, comfortable grip. Replacement parts are available from stock. All cutters tested before leaving the factory.

FELCO® C7 CABLE CUTTER



FELCO®
Capacity: 5/32" on stainless steel diameter and smaller.
Length: 7.5"
Weight: 9.5 oz.



High-strength Blades

Hardened and tempered for cutting the strongest of cables.

A cable when crushed or deformed in cutting is difficult to use with fittings. These cable cutters, with unique triangular jaws, never leave a frayed end.

FELCO® C3 CABLE CUTTER



FELCO® C3
Capacity: 3 mm for high-tensile strength wires and tire cords/cables.
Length: 7.5"
Weight: 9.05 oz.



High-strength Blades

Hardened and tempered for cutting the strongest of cables.

FELCO® C3 — Cutting surface of blades is more than 10% harder than the C7 FELCO® Cutter, giving longer service life in heavy use. Length of cutting blades is same as the C7, this will allow user to "capture" cable or wire in cutting motion. Handle opening is only 4.5 inches, giving a very comfortable fit for even the smallest of hands. Softer spring allows easy closure of the tool, vastly reducing repetitive motion stress.

FELCO® CP CUTTER



FELCO® CP
Length: 8"
Weight: 10 oz.

Type CP Cutters — **For Steel Strapping and Banding.** CP cutters are indispensable for cutting steel strapping and banding. They are also especially good for cutting string, twine, rope, tin and many other materials with ease. The red plastic handle is fitted to the hand to make cutting comfortable. A thumb catch locks the cutter when not in use, designed for one-handed operation. Pressed steel handles with non-slip grips.



PRECISION CABLE CUTTERS



A favorite accessory with spring clip to be attached to pocket or belt.
Fits C3, C7, CP, and CDO .

SHEATH-L

Leather sheath with belt loop and clip
Length: 9.3"
Weight: 3.9 oz.

FELCO® C9 CABLE CUTTER



High-strength Blades

Blades and fastenings in high-quality hardened steel

FELCO®

Capacity: cuts 1/4" steel cable.
Length: 13"
Weight: 1.5 lbs.

Fills the gap between C7 and C12 — Ideal for the tool kit. FELCO's innovative triangular cut allows you to progressively cut cable wires and at the same time avoid squashing of strands. Thanks to this feature, it is generally not necessary to tie the cable before the cut. Forged Aluminum handles. Lightweight, strong and sturdy thanks to special aluminum alloys and advanced precision forging methods.

FELCO® C108 CABLE CUTTER



Reliable: unbreakable hardened handles made of forged aluminum, blades and fastenings in high-quality hardened steel, phosphate-treated, corrosion-resistant.

Ergonomic: lightweight handles, helpful lever effect, comfortable plastic coating.

FELCO®
Weight: 4.5 lbs.
Length: 22"

Simple construction, all parts protected against rust and salt water. Designed as an indispensable part of boat equipment. Especially suited for quick easy cutting of shrouds, stays, halyards, and other rigging of high-tensile wire rope or cable up to 5/16" diameter. Inexpensive insurance for that rare time when a mast breaks. The C108 will cut virtually any material including steel rods up to 5/16" diameter and tempered steel spring wires up to 1/4" diameter.

PRECISION CABLE CUTTERS

FELCO® C112 CABLE CUTTER



Capacity of 1/2" hi-tensile strands.
Weight: 8.25 lbs.
Length: 29"

Reliable: unbreakable hardened handles made of forged aluminum, blades and fastenings in high-quality hardened steel, phosphate-treated, corrosion-resistant.

Ergonomic: lightweight handles, helpful lever effect, comfortable plastic coating.



Like the C108, this cutter also has maximum force transmission which applies the maximum leverage just at the right moment. This coupled with Swiss precision blades make the C112 and the C108 amazingly easy to use.

FELCO® C12 CABLE CUTTER



FELCO®

Capacity: 3/8" diameter
Length: 19" / 500mm
Weight: 3 lbs. / 1500g

Reliable: unbreakable hardened handles made of forged aluminum, blades and fastenings in high-quality hardened steel, phosphate-treated, corrosion-resistant.

Ergonomic: lightweight handles, helpful lever effect, comfortable plastic coating.



Efficient: clean, precise cut without crushing the cable thanks to the triangular cutting system. Easy and durable cutting adjustment.

FELCO® 16 CUTTER



FELCO®

Capacity: 5/8" diameter and smaller.
Length: 23".
Weight: 5 lbs.

Reliable: unbreakable hardened handles made of forged aluminum, blades and fastenings in high-quality hardened steel, phosphate-treated, corrosion-resistant.

Ergonomic: lightweight handles, helpful lever effect, comfortable plastic coating.



Efficient: clean, precise cut without crushing the cable thanks to the triangular cutting system. Easy and durable cutting adjustment.

PRECISION CABLE CUTTERS

FELCO® CB BASE - For Mounting C9, C12 and C16 CUTTERS



CB Base
Length: 13 inches / 325mm
Weight: 1.5 lbs. / 750g

Simply remove one handle from your C9, C12 or C16 Cutter, bolt on our base and your portable cutter has been converted to a stationary bench-mounted cutter.



IMPORTANT: It is possible to cut larger diameter than those mentioned above by separating the individual strands of the rope by using the triangular cutting action to nip these out. Types C108 and C112 are particularly recommended for this kind of work.

FELCO® CDO BARBED WIRE CUTTER



FELCO®
Length: 7 3/4" in. / 195mm
Weight: 9.9 oz. / 280g

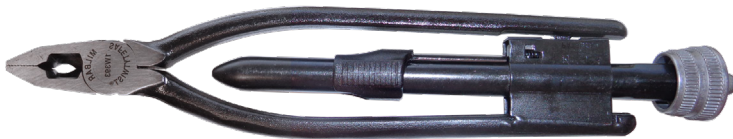
Cutter especially designed for cutting barbed wire. Its cutting notch allows the wire to be caught by holding it at the bottom of the cutting profile. Small and efficient, it can easily be carried in a pocket.



The FELCO® cutter is the most efficient barbed wire cutter. Its small size and the thumb operated locking catch enable this handy cutter to fit in the pocket. Its triangular cutting action makes one-handed cutting easy. Hardened steel blades and center bolt, pressed steel handles with plastic coating.

SAFETY WIRE PLIER

LOCOLOC® SAFETY TWIST PLIER - IW393



Safety Twist Plier
Domestic No. IW393
Import No. WP-809

Length: 10 in.
Weight: .5lbs.

3 tools in one — cutter, wire twister, and a pair of pliers. You can grip, twist and snip safety wire faster and better than ever before. Designed for aircraft, industrial, and other "Vibrating" applications. The Safety Twist Plier is a versatile tool to help you do reliable safety-wiring (lock wiring) rapidly and consistently. Safety-wiring remains the most positive and assured method of securing critical fasteners that must not be allowed to back out: any tendency of the fastener to loosen is counteracted by tightening of the safety wire.

* Available in Imported or Domestic

LOCOLOC® HYDRAULIC CABLE CUTTERS

LOCOLOC® HC-16 HYDRAULIC CABLE CUTTER

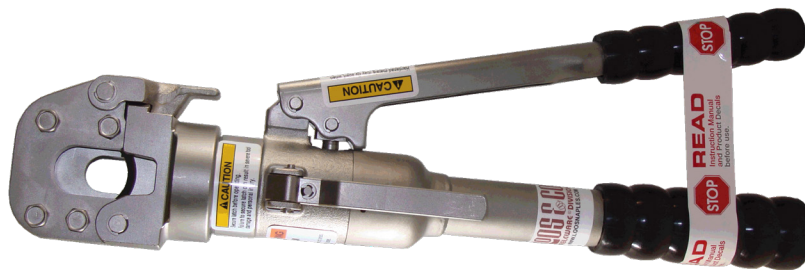


Portable, lightweight, and made to last years under the toughest field conditions. This tool is made of high-grade steel and has rubber handle grips. It is black zinc oxide coated to help reduce corrosion. A flip-top latch opens the tool jaw to easily accept cables and wires. The head can be rotated up to 180° to facilitate easy wire positioning and operator leverage.

- Lightweight and Portable
 - Works in Any Position
 - 180° Rotational Head
- | | |
|-------------------|---------|
| Cutting Capacity: | 5/8" |
| Output: | 4.4 Ton |
| Length: | 15" |
| Weight: | 6 lbs. |
| Jaw Opening: | .6" |

Note: Replacement Blade P/N: 20-07

LOCOLOC® HC-16PL HYDRAULIC CABLE CUTTER NICKEL-PLATED



The HC-16PL is a saltwater-resistant, nickel-plated cutter for use in underwater environment. Its recommended uses include: marine nautical cutting, emergency cutting of stainless steel wire rope rigging and hardware, underwater rebar and cable cutting, and yacht mast rod cutting up to 1/2".

Requires minimum pumping effort to produce specified output tonnage. Made to last years under the toughest field conditions. A flip-top latch opens the tool jaw to easily accept cables and wires.

- | | |
|-------------------|---------|
| Cutting Capacity: | 5/8" |
| Output: | 4.4 Ton |
| Length: | 15" |
| Weight: | 6 lbs. |
| Jaw Opening: | .60" |
| Plating: | Nickel |
- Lightweight and Portable
 - Works in Any Position
 - 180° Rotational Head
 - HC-16PL is Nickel-Plated for Underwater Use

Note: Replacement Blade P/N: 20-07P

LOCOLOC® HYDRAULIC CABLE CUTTERS

LOCOLOC® HC-20 HYDRAULIC CABLE CUTTER



Portable, lightweight, and made to last years under the toughest field conditions. This tool is made of high-grade steel and has rubber handle grips. It is black zinc oxide coated to help reduce corrosion. A flip-top latch opens the tool jaw to easily accept cables and wires.

Cutting Capacity: 3/4"
 Output: 4.4 Ton
 Weight: 6 Lbs.
 Size: 14"L
 Jaw Opening: .75"

- Lightweight and Portable
- Works in Any Position
- 180° Rotational Head

Note: Replacement Blade P/N: 20-07

LOCOLOC® HC-24 HYDRAULIC CABLE CUTTER



Portable, lightweight, and made to last years under the toughest field conditions. This tool is made of high-grade steel and has rubber handle grips. It is black zinc oxide coated to help reduce corrosion. A flip-top latch opens the tool jaw to easily accept cables and wires. The head can be rotated up to 180° to facilitate easy wire positioning and operator leverage. This tool can also be used to cut ACSR, up to 477 MCM, and EHS guy wire, up to 7/16".

Cutting Capacity: 7/8"
 Output: 7.8 Ton
 Length: 17"
 Weight: 9 lbs.
 Jaw Opening: .9"

- Lightweight and Portable
- Works in Any Position
- 180° Rotational Head

Note: Replacement Blade P/N: 24-08

LOCOLOC® REPLACEMENT BLADES



20-07



24-08



20-07P

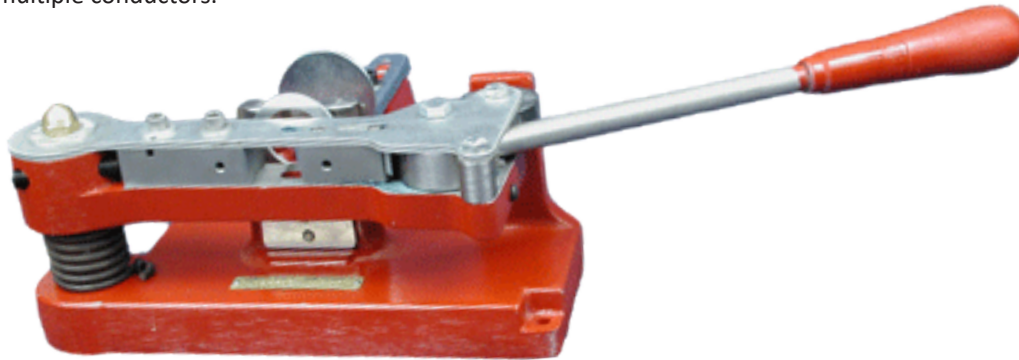
| Loos Part No. | Description |
|---------------|---|
| 20-07 | Replacement Blade for HC-16, HC-20, & SL-S720 |
| 20-07P | Replacement Blade for HC-16PL |
| 24-08 | Replacement Blade for HC-24 & HC-S724H |

SIMPLEX® CABLE STRIPPERS

This fine tool has been produced since 1920 and has enjoyed a worldwide reputation for quality and service for over 60 years. Loos & Co., Inc. Cableware® Division manufactures this stripper in its Naples, Florida plant. Replacement parts and repair services are now available to the many thousands of customers who already own this tool. Sturdy, inexpensive, high production wire stripper. Quickly removes all types of insulation materials by simply inserting the wire or cable through the oscillating blades to the stop set for the desired length to be stripped. A quick withdrawal neatly removes the insulation.

SIMPLEX® CABLE STRIPPER S-30C

Extension handle for leverage. Capable of removing metallic sheathing, cambric, synthetic braided, plastics of all types including battery cables and multiple conductors.

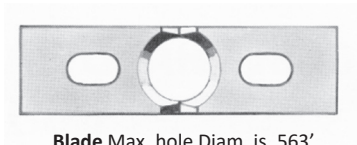


S-30C

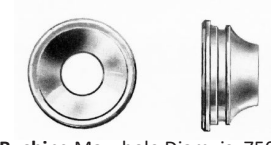
Size: 9" x 10" x 5" High

Shipping weight: 20 lbs.

Maximum capacity : up to 3/4" diameter.



Blade Max. hole Diam. is .563"



Bushing Max. hole Diam. is .750"



Clamping Jaw

We recommend the use of Grooved Blades when removing outer jacketing and shielding and particularly on multi stranded wire where a clean stripped end is required.

We recommend using Blades, Bushing and Clamping Jaws with the S-30C.

BLADES are not furnished as standard equipment with the Model S-30C but MUST BE ORDERED SEPARATELY.

We recommend sending in a sample cable (1-2 ft) for the exact part numbers needed.

SIMPLEX® CABLE STRIPPER S-15C

BLADES AND GUIDES



Blade max. hole dia. .375



Wire guide max. hole dia. .375

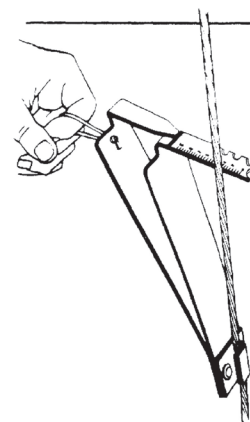
TENSION GAUGES

Loos Cableware® Division offers a series of gauges to measure the tension in cables and rods from 3/32 to 3/8 inch in diameter (2.5 mm to 10 mm). These gauges are designed for setting the proper tension in the standing rigging of sailboats and also for other applications such as supporting cables for radio towers, large tents, and other structures. The gauges are relatively inexpensive and are designed to be suitable for rugged marine service. The gauges measure tension over a range of approximately 5% to 25% of the breaking strength of the cable or rod and provide an accuracy of + or - 5%. The "Professional Models" (PT and RT series) provide an increasing durability, accuracy, and convenience of use when compared to our popular standard models. The gauge may be hooked on the wire and will remain in position while the tension is adjusted. Manufactured of rugged anodized aluminum, this gauge is corrosion resistant and will give years of service. Detailed operating instructions are included with each tension gauge.

STANDARD MODELS A & B



The Loos & Co. economy tension gauge takes the guesswork out of cable tension adjustment. It's especially designed for accurate, repeatable tuning of a sailboat's standing rigging. Manufactured of rugged anodized aluminum, the gauge is corrosion-resistant and will provide years of service.



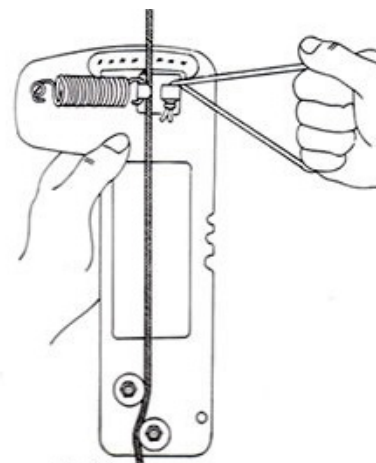
| Part No. | Description |
|------------|---------------------------------------|
| 91-Model A | Cable Sizes 3/32", 1/8", 5/32" |
| 90-Model B | Cable Sizes 3/16", 7/32", 1/4", 9/32" |
| 91-Metric | Cable Sizes 2.5mm, 3mm, 4mm |
| 90-Metric | Cable Sizes 5mm, 6mm, 7mm |

Note: The intended use of this gauge is to be used on 302/304 1x19 Stainless Steel cable in appropriate sizes. If used on other cable types, sizes, and constructions, your reading would be consistent (repeatable) but pound tension values would differ from those listed on the label.

PROFESSIONAL MODELS



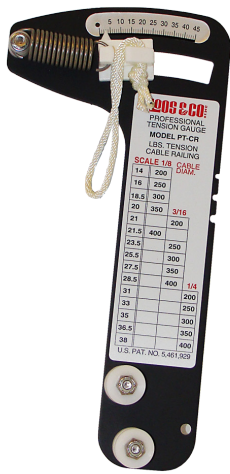
Higher accuracy and easier to use than standard models. The cable can be adjusted while the gauge remains on the cable. "Just watch the pointer move."



| Part No. | Description |
|-------------|--------------------------------------|
| PT-1 | Cable Sizes 3/32", 1/8", 5/32" |
| PT-2 | Cable Sizes 3/16", 7/32", 1/4" |
| PT-3 | Cable Sizes 1/4", 9/32", 5/16", 3/8" |
| PT-1 Metric | Cable Sizes 2.5mm, 3mm, 4mm |
| PT-2 Metric | Cable Sizes 5mm, 6mm, 7mm |
| PT-3 Metric | Cable Sizes 7mm, 8mm, 9mm, 10mm |

All readings are based on 302/304 1x19 SS breaking strengths.

TENSION GAUGES



PT-CR

PROFESSIONAL MODEL #PT-CR

The Loos. & Co. Professional Model #PT-CR tension gauge is designed to provide an accurate measurement of the tension in architectural cable railing systems.

The Model #PT-CR is designed to measure cable tension in lbs. for 1/8", 3/16", and 1/4" 1x19 cables. Readings of between 200 and 400 lbs. are shown on the easy to read scale.

All readings are based on 302/304 1x19 SS breaking strengths.

ROD RIGGING GAUGE



RT

We offer a series of gauges to measure the tension in rods from .172 to .375 inch in diameter over a range of approximately 5% to 25% of the breaking strength of the rod and provide an accuracy of $\pm 5\%$. The "Professional Model" RT series provides an increasing durability, accuracy, and convenience of use. Manufactured of rugged anodized aluminum, this gauge is corrosive-resistant and will give years of service. Detailed operating instructions are included with each tension gauge. Operates in the same manner as the Professional Model Series.

| Part No. | Description |
|----------|--|
| RT-10 | Rod Sizes .172, .198, .225, .250, .281 |
| RT-11 | Rod Sizes .281, .330, .375 |
| RT-10M | Rod Sizes 4.4, 5, 5.7, 6.3, and 7.1 |
| RT-11M | Rod Sizes 7.1, 8.4, and 9.5 |



#5-H LOCOLOC® HYDRAULIC SWAGER

Strong and Powerful - The #5-H Locoloc® combines 25 tons of strength with an independent hydraulic power supply.

Compact - It's lighter and more compact than normal-, low-, or medium-pressure hydraulic units.

Consistent - This swager assures dependable pressure for strong, dependable cable assemblies.

The #5-H Locoloc® Hydraulic Swager has a reputation for reliable production. Its quality components include:

- A 1 HP, 115 volt powered 2 stage hydraulic pump and 4-way valve assembly with integral 2 gallon reservoir.
- A 3" bore hydraulic cylinder rated for 10,000 PSI.
- A control system providing a method of changing pressure and actuating the hydraulic swaging unit.
- A convenient work stand on which the swaging package is mounted.
- A wide selection of swaging dies developed and proven by Loos Naples.

Greater Production - This 10,000 PSI system swages 3/64" to 1/2" Locoloc® aluminum and copper oval and stop sleeves with ease. The #5 Locoloc® Hydraulic Swager, swages from 500 PSI every 1 second (approx.) to 8,000 PSI every 6 seconds (approx.).

If you suspect slow swaging production may be stealing some of your profits, find out more about the #5-H Locoloc® Hydraulic Swager. Alias: The Production Pusher.

Ask us about the many types of hardware and cable we offer to solve your production needs, including Locoloc® aluminum oval & stop sleeves, copper oval & stop sleeves, and stainless steel oval sleeves.

For dependable swaging, use only Locoloc® Aluminum Oval & Stop Sleeves, Copper Oval & Stop Sleeves, and Stainless Steel Oval Sleeve.



Dies Sold Separately



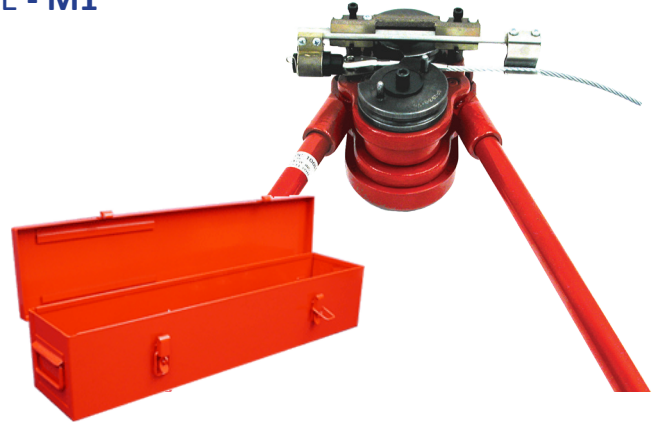
| Dies for the #5-H | |
|-------------------|--|
| Part Number | Description |
| DI4-1.5 | 3/64 Copper or Aluminum, Oval or Stop Sleeve 3/64 or 1/16 Stainless Steel Oval Sleeve |
| DI4-2 | 1/16 Copper or Aluminum, Oval or Stop Sleeves 3/32 Stainless Steel Oval Sleeve |
| DI4-3 | 3/32 Copper or Aluminum Oval or Stop Sleeves 1/8 Copper or Aluminum Stop Sleeves 1/8 Stainless Steel Oval Sleeve |
| DI4-4 | 1/8 Copper or Aluminum Oval Sleeves 5/32, 3/16 & 7/32 Copper or Aluminum Stop Sleeves 5/32 Stainless Steel Oval Sleeve |
| DI4-5 | 5/32 Copper or Aluminum Oval Sleeves 3/16 Stainless Steel Oval Sleeve |
| DI4-6 | 3/16 Copper or Aluminum Oval Sleeves 7/32 Stainless Steel Oval Sleeve |
| DI4-7 | 7/32 Copper or Aluminum Oval Sleeves 1/4 Stainless Steel Oval Sleeve |
| DI4-8 | 1/4 Copper or Aluminum Oval Sleeves 1/4, 9/32, & 5/16 Copper or Aluminum Stop Sleeves |
| DI4-9 | 9/32 Copper or Aluminum Oval Sleeves 5/16 Stainless Steel Oval Sleeve |
| DI4-10 | 5/16 Copper or Aluminum Oval Sleeves 3/8 Stainless Steel Oval Sleeve |
| DI4-12 | 3/8 Copper or Aluminum Oval Sleeves |
| DI4-14 | 7/16 Copper or Aluminum Oval Sleeves |
| DI4-16 | 1/2 Copper or Aluminum Oval Sleeves |

LOCOLOC® HAND SWAGER - TYPE I

LOCOLOC® PORTABLE MANUAL SWAGING MACHINE - M1

This portable, hand-operated roll type swaging machine, will swage MS type terminals onto galvanized and stainless steel cables from 1/16" diameter up to and including 3/16" diameter. Marine-industrial terminals can also be assembled if the terminals have the same outside diameter and bore diameters as standard MS terminals before swaging.

Shipping Weight: 54 Lbs.
Conforms to MIL Spec MIL-S-6180

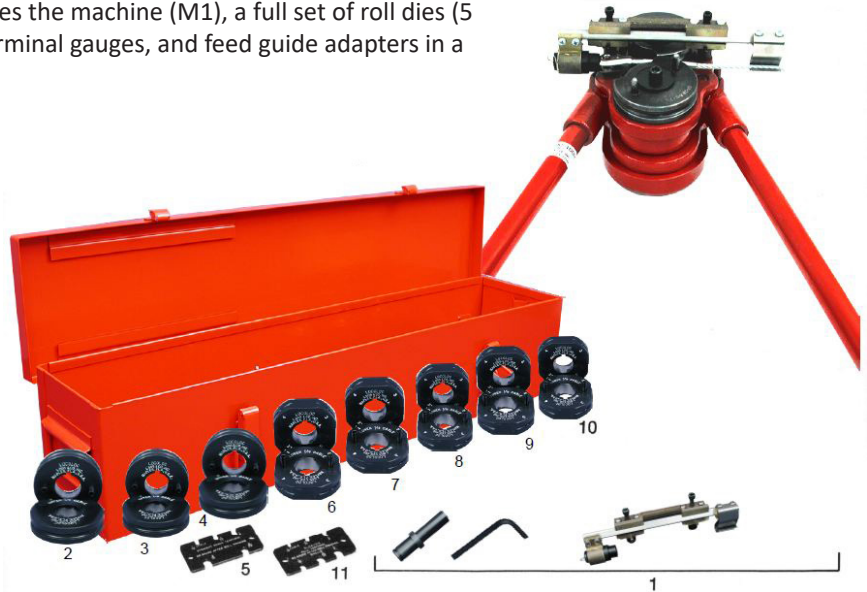


LOCOLOC® PORTABLE MANUAL SWAGING MACHINE KIT - M1-K

The LOCOLOC®-Kearney Type I Roll Swaging Kit, includes the machine (M1), a full set of roll dies (5 Shank Terminal Roll Dies, 3 sets Ball Terminal Dies), terminal gauges, and feed guide adapters in a steel carrying and storage case.

Shipping Weight: 64 Lbs.
Conforms to MIL Spec MIL-S-6180

Straight Shank Terminal Dies Weight: 4 Lbs. Ea. Set
Ball Terminal Dies Weight: 4 Lbs. Ea. Set.
Gauges Weight: 1 Lb. Ea.



| Index No. | Loos Part No. | Old Part No. | Part Name | Qty. |
|-----------|----------------|--------------|--|------|
| 1 | M1 (74) | 7-4 | Swaging Machines with Case, Allen Wrench, Feed Guide Assembly, and Feed Guide Adapters | 1 |
| 2 | M1-B2 | 12748-10 | Ball-Shank Terminal Roll Assy. (for 1/16 inch cable) | 1 |
| 3 | M1-B3 | 12748-11 | Ball-Shank Terminal Roll Assy. (for 3/32 inch cable) | 1 |
| 4 | M1-B4 | 12748-12 | Ball-Shank Terminal Roll Assy. (for 1/8 inch cable) | 1 |
| 5 | GA-B24 | 12971-1 | Ball-Type Terminal Gauge (1/16 - 1/8 inch cable) | 1 |
| 6 | M1-S2 | 13655-7 | Straight-Shank Terminal Roll Assy. (for 1/16 inch cable) | 1 |
| 7 | M1-S3 | 13655-17 | Straight-Shank Terminal Roll Assy. (for 3/32 inch cable) | 1 |
| 8 | M1-S4 | 13655-27 | Straight-Shank Terminal Roll Assy. (for 1/8 inch cable) | 1 |
| 9 | M1-S5 | 13655-37 | Straight-Shank Terminal Roll Assy. (for 5/32 inch cable) | 1 |
| 10 | M2-S6 | 13655-47 | Straight-Shank Terminal Roll Assy. (for 3/16 inch cable) | 1 |
| 11 | GA-S26 | 12971-2 | Straight-Shank Terminal Gauge (1/16 - 3/16 inch cable) | 1 |

LOCOLOC® MANUAL BENCH SWAGING MACHINE KIT - M2-K



Type II Bench-Mounted Swaging Machine Kit contains the following (as illustrated):

- 1 M2 Bench-Mounted Swaging Machine
- 10 Sets, Straight Shank Rolls (Dies)
- 7 Sets, Ball Terminal Rolls (Dies)
- 4 Gauges, for all Ball and Shank Terminals
- 1 Auxiliary Adapter, with bolt (P/N: M2-AA26)
- 1 Spring Clip Assembly (P/N: M2-SCA)
- 1 Guide Assembly Adjustable Stop (P/N: GAAS)
- 1 Bench for mounting M2 Swaging Machine

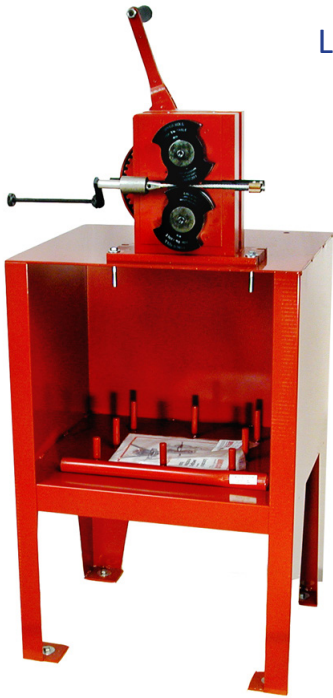
Shipping Weight: 425 Lbs.
Conforms to MIL Spec MIL-S-6180

Straight Shank Dies Weight: 8.5 Lbs. Ea. Set
Ball Terminal Dies Weight: 10 Lbs. Ea Set.
Gauges Weight: 1 Lb. Ea

| Index No. | Loos Part No. | Old Part No. | Part Name | Qty. |
|-----------|---------------|--------------|---|------|
| 1 | M2 (84) | 8-4 | Roll Swaging Machine with Shipping Case/Bench, Wrench, and Handle Extension | 1 |
| 2 | M2-B2 | 12548 | Ball-Shank Terminal Roll Assembly (for 1/16 inch cable) | 1 |
| 3 | M2-B3 | 12548-1 | Ball-Shank Terminal Roll Assembly (for 3/32 inch cable) | 1 |
| 4 | M2-B4 | 12548-2 | Ball-Shank Terminal Roll Assembly (for 1/8 inch cable) | 1 |
| 5 | M2-B5 | 12548-3 | Ball-Shank Terminal Roll Assembly (for 5/32 inch cable) | 1 |
| 6 | M2-B6 | 12548-4 | Ball-Shank Terminal Roll Assembly (for 3/16 inch cable) | 1 |
| 7 | M2-B7 | 12548-5 | Ball-Shank Terminal Roll Assembly (for 7/32 inch cable) | 1 |
| 8 | M2-B8 | 12548-6 | Ball-Shank Terminal Roll Assembly (for 1/4 inch cable) | 1 |
| 9 | M2-S2 | 20438-2 | Straight-Shank Terminal Roll Assembly (for 3/16 inch cable) | 1 |
| 10 | M2-S3 | 20438-3 | Straight-Shank Terminal Roll Assembly (for 3/32 inch cable) | 1 |
| 11 | M2-S4 | 20438-4 | Straight-Shank Terminal Roll Assembly (for 1/8 inch cable) | 1 |
| 12 | M2-S5 | 20438-5 | Straight-Shank Terminal Roll Assembly (for 5/32 inch cable) | 1 |
| 13 | M2-S6 | 20438-6 | Straight-Shank Terminal Roll Assembly (for 3/16 inch cable) | 1 |
| 14 | M2-S7 | 20438-7 | Straight-Shank Terminal Roll Assembly (for 7/32 inch cable) | 1 |
| 15 | M2-S8 | 20438-8 | Straight-Shank Terminal Roll Assembly (for 1/4 inch cable) | 1 |
| 16 | M2-S9 | 20438-9 | Straight-Shank Terminal Roll Assembly (for 3/32 inch cable) | 1 |
| 17 | M2-S10 | 20438-10 | Straight-Shank Terminal Roll Assembly (for 5/16 inch cable) | 1 |
| 18 | M2-S12 | 20438-12 | Straight-Shank Terminal Roll Assembly (for 7/32 - 3/8 inch cable) | 1 |
| 19 | GA-S712 | 13329 | Straight-Shank Terminal Gauge (for 1/16inch thru 3/16 inch cable) | 1 |
| 20 | GA-S26 | 12971-2 | Straight-Shank Terminal Gauge (for 3/16 inch cable) | 1 |
| 21 | GA-B24 | 12971-1 | Ball Type Terminal Gauge (for 1/16 inch thru 1/8 inch cable) | 1 |
| 22 | GA-B58 | 17692 | Ball Type Terminal Gauge (5/32 - 1/4 inch cable) | 1 |
| 23 | M2-SCA | 17918 | Spring Clip Assembly | 1 |
| 24 | M2-AA26 | 19837 | Auxillary Adapter w/ bolt (for use with straight-shank terminal rolls 1/16 - 3/16 inch) | 1 |

LOCOLOC® MANUAL BENCH SWAGER - TYPE II

LOCOLOC® MANUAL BENCH SWAGER - M2



A more sophisticated swaging machine which is bench-mounted, hand-powered with crank geared down for easy operation. This swaging machine will accomplish the swaging of AN or MS type fittings on all galvanized and stainless steel cable, up to and including 3/8" diameter. Available in kit complete with swaging machine and dies or machine and dies can be purchased separately .

Shipping Weight: 225 Lbs.
Conforms to **MIL Spec MIL-S-6180**

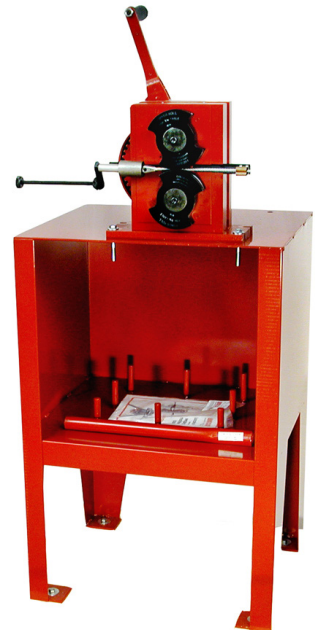
LOCOLOC® MULTI-PURPOSE SHIPPING CONTAINER - M2



84-81

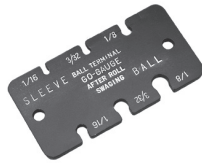
Upon receipt of the shipping container/ bench, the customer simply unbolts the machine, transfers it to the top, and, using the same bolts and the same holes, secures it in the operating position, as shown. Provision is made for the attachment of heavy-duty lockable industrial casters at the corners of the lower frame to facilitate moving the machine around the shop.

We have also designed for the new Type II Swaging Machine, a new multi-purpose shipping container shown made of welded steel plate, with the object of assuring safe delivery of the machine to the customer and at the same time providing him with a sturdy bench on which to mount his swaging machine and a convenient storage cabinet for the dies and accessories.



M2

ACCESSORIES FOR M2



GA-B24



GA-B58



GA-S26



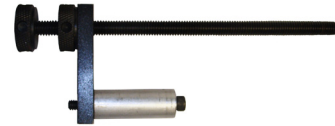
GA-S712



M2-PEK



M2-SCA



M2-GAAS



M2-AA26

| Loos P/N | Old Kearney P/N | Description |
|----------|-----------------|--|
| 84-81 | | Steel bench for mounting M2 Kearney Machine (Shipping Container) |
| M2-AA26 | 19837 | Auxiliary Adapter (with bolt) for use with Straight Dies (1/16 through 3/16) |
| GA-B24 | 12971-1 | Gauge for Ball Terminals 1/16, 3/32, & 1/8 |
| GA-B58 | 17692 | Gauge for Ball Terminals 5/32 through 1/4 |
| GA-S26 | 12971-2 | Gauge for Straight Shank Terminals 1/16 through 3/16 |
| GA-S712 | 13329 | Gauge for Straight Shank Terminals 7/32 through 3/8 |
| M2-SCA | 17918 | Spring Clip Assembly |
| GAAS | | Guide Assembly Adjustable Stop |
| 84-60 | | Guide Assembly |
| M2-PEK | | Kit Electrical M2 (Replaces old style foot assembly) |

LOCOLOC® BENCH-MOUNTED POWERED SWAGING MACHINES

LOCOLOC® POWERED SWAGER, TYPE II SWAGER - M2-P

We also offer a power drive for optional application to the Type II Swaging Machine. This specially designed power drive consists of:

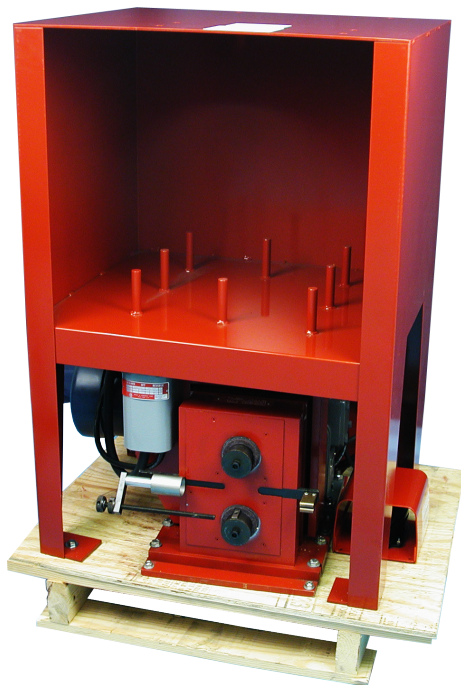
- M2 Locoloc® Type II Swager
- 1.5 Horsepower, Single Phase, 115 Volt Motor, Type TEFC
- Right Angle Gear Reducer
- Foot Switch with 7.5 feet of cord connected to motor and 9 feet of cord for connection to power supply.
- 2 Chain Sprockets, Roller Chain, and Adjustable Base to tighten chain.
- Chain Guard
- Steel base plate to which both the reduction gear housing and the swaging machine can be secured in their proper relative locations by cap screws.

Unless otherwise specified in the customer's purchase order, power drive units will be shipped from the factory wired for 115 volts power supply and the 9 ft. 3-wire power supply cable will have a standard 3-prong plug (2 line and 1 ground) assembled to its free end.

Conforms to **Mil Spec MIL-S-6180**
Shipping Weight: 200 Lbs.



Part No. M2-P POWERED SWAGING MACHINE only, without Dies or Accessories.



Shipping container/bench with power driven machine inside ready for shipping.

FACTORY INSTALLATION

If so ordered, the Power Drive will be shipped from the factory assembled to the Type II Swaging Machine, as shown at left.

In this case, the assembly of the Type II Swaging Machine and the Power Drive is attached to and enclosed in the lower half of the shipping container/bench and the dies and accessories are secured in the upper half. Here again, upon receipt at the customer's plant, the assembly of the Type II Swaging Machine and Power Drive is detached from the shipping container/bench, transferred to the bench surface, and secured there by inserting the shipping bolts into pre-drilled holes in the bench.

LOCOLOC® BENCH-MOUNTED POWERED SWAGING MACHINES

LOCOLOC® POWERED DRIVE KIT for TYPE II SWAGER - M2-PDK

CUSTOMER INSTALLATION

If the customer wishes to convert a Type II manually operated Swaging Machine to power drive, he can obtain a Power Drive Kit and assemble it to the machine in his own shop. Detailed instructions for making this conversion are supplied with each kit.

M2-PDK LOCOLOC® POWERED Drive Kit for Type II Machines to CONVERT Manual Machines to ELECTRIC POWER Kit Contains:

- 12 x 19 Mounting Plate.
- Adjustable Base to Tighten Chain.
- Right Angle Gear Reducer including 1.5" HP Single-Phase, 115 volt motor.
- Foot Switch with 5 feet of cord connected to motor and 10 feet of cord for connection to power supply.
- Two Chain Sprockets and Roller Chain.
- Necessary cap screws to mount gear box, swager, and guard.
- Chain Guard.



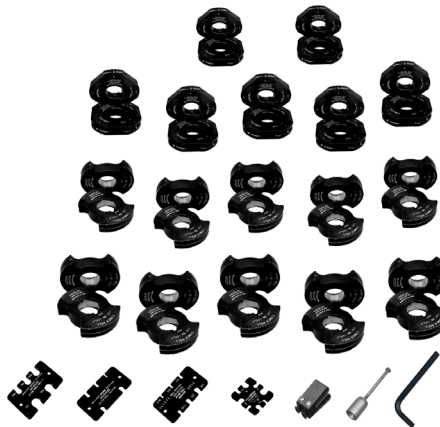
Power Drive Kit laid out
Shipping Weight 140 lbs.

LOCOLOC® BENCH-MOUNTED POWERED SWAGING MACHINE KIT - M2-PK

Locoloc® - Bench-Mounting POWERED SWAGING MACHINE KIT, contains the following:

- M2-P Locoloc® - Bench-Mounted Powered Swaging Machine
- 10 Sets, Straight Shank Roll Dies to fit 1/16" through 3/8" Cable
- 7 Sets, Ball Terminal Roll Dies to fit 1/16" through 1/4" Cable
- 4 Gauges, for all Ball and Shank Terminals
- 1 Auxiliary Adapter, with bolt (M2-AA26)
- 1 Spring Clip Assembly (M2-SCA)
- 1 Guide Assembly Adjustable Stop (GAAS)
- 1 Bench for Mounting Type II POWERED

Conforms to Mil Spec MIL-S-6180
Shipping Weight: 550 Lbs.



M2-PK POWERED SWAGING MACHINE KIT,
with Dies and Accessories.
(Shipping Weight 550 lbs.)

QUALITY CONTROL

Loos & Co., Inc. operates a fully-staffed Quality Control Department conforming to the requirements of ISO9001 and AS9100. Statistical Process Control procedures are employed as well as dimensional and nondestructive testing. Measuring instruments and gauge controls are in accordance with NIST and/or ISO 17025. Our personnel and procedures have undergone quality assurance inspections by most aerospace firms, as well as government agencies. These evaluations have always resulted in Loos & Co. receiving top ratings.

ATTENTION DISTRIBUTORS

Reproducible art work, flyers, and brochures are available on all products listed in this catalog for your advertising use or for insertion in your catalogs. Advise us of products or pages of specific interest. Request for permissions must be provided prior to reproducing any parts of this catalog per Loos & Co. copyrights.

ATTENTION: LOCOLOC® -KEARNEY Machine Owners SUBJECT: WARRANTY RESTRICTION INFORMATION

Loos & Co. restricts the warranty on all Locoloc® - Kearney machines to the use of only Locoloc® fittings to fully guarantee the performance of our machines. We cannot be responsible for machine damage caused by another manufacturer's fittings that exceed Rockwell hardness of 62, A scale or RB100.

Obviously, there are certain fittings that will be swaged by Locoloc®-Kearney machines that we do not or cannot supply. When this occurs we request that you check the hardness of the fittings to determine that the maximum Rockwell hardness is 62, A scale. We cannot be responsible for machine damage caused by another manufacturer's fittings that exceed Rockwell hardness of 62, A scale or RB100.

CAUTION: WHEN SWAGING FITTINGS ONTO 1 x 19 CABLE

When swaging fittings on to 1 x 19 construction wire rope, remember that there is little or no compression remaining in this construction. The wire rope itself is very solid with little or no "give."

A combination of a 1 x 19 construction wire rope manufactured on the "high side" of its tolerance and a fitting with a hole running on the "low side" of its tolerance (see dimensions to fittings under specifications) will exaggerate this problem. Remember a swaging machine must have room to "flow" or "move" the steel in the fitting to form around the wire rope. There must be space to accomplish this.

In addition, many manufacturers do not drill the hole in their fittings deep enough. This leaves a space at the base of the fitting of solid steel. This distance can vary from 1/4" up to over 1". The Locoloc®-Kearney machine simply cannot perform the impossible and swage solid metal, again there must be room for the steel to "flow" or "move."

When any of the situations above occur, the result can be broken dies, sprung machines, ruined fittings, and perhaps loss of expensive wire rope. The majority of cases could easily be avoided by checking the following before attempting to swage:

1. Diameter of wire rope - is it on high side of tolerance?
2. Inside diameter of fitting - will the wire rope fit with ease?
3. Depth of hole in fitting - do not attempt to swage over solid steel, begin swage at the bottom of the hole.
4. Hardness of steel - check Rockwell Hardness. See above.
5. Do not add leverage to your swaging machine by extending the handle beyond the length of the handle extension we supply. The handle is designed to accomplish the maximum compression for which the machine is designed. Adding to the handle length will result in broken dies, broken gears, and/or sprung frames and large repair costs.

TABLE OF CONTENTS

| Description | Page |
|------------------------------------|-------|
| Aluminum Oval Sleeves | 12 |
| Aluminum Oval Thin Wall Sleeves | 13 |
| Aluminum Stop Sleeves | 12 |
| AN100 Thimbles, Cold-Rolled Steel | 8 |
| AN100 Thimbles, Stainless Steel | 8 |
| AN111 Cable Bushings | 7 |
| Ball Fitting | 1 |
| Ball, Double Shank MS20663 | 1 |
| Ball, Single Shank MS | 1 |
| Bench-Mounted Cutters | 23 |
| Bench Swagers | 31-37 |
| Boeing Button | 2 |
| Clamps, Wire Rope, Galvanized | 11 |
| Clamps, Wire Rope, Stainless Steel | 11 |
| Clip Locking Turnbuckle | 6 |
| Clips, Net | 9 |
| Clips, Wire Rope | 11 |
| Copper Oval Sleeves | 12 |
| Copper, Zinc-Plated Oval Sleeves | 12 |
| Cutters, Bench-Mounted | 23 |
| Cutters, Cable | 20-27 |
| Cylindrical Terminals | 2 |
| Dies, Swaging | 31-37 |
| Double Shank Ball, MS20663 | 1 |
| Eye End, MS20668 | 3 |
| Eye End, Strap, NAS 1435-E | 2 |
| Eye End Terminations | 2-4,7 |
| Eye, Marine | 4 |
| Fittings, Oval & Stop Sleeves | 12 |
| Fork End, MS20667 | 3 |
| Fork End, Strap NAS 1435-K | 2 |
| Fork End Terminals | 2,3 |
| Galvanized Wire Rope Clamps | 11 |
| Galvanized Wire Rope Clips | 11 |
| Galvanized Wire Rope Thimbles | 8-9 |
| Gauge, Cable Diameter | 13 |
| Gauge, Tension | 29-30 |

TABLE OF CONTENTS

| Description | Page |
|-------------------------------------|------------------|
| Hand swagers | 14-19 |
| Handswaging Kits | 16, 17, 32 |
| Handheld Wire Strippers and Cutters | 28 |
| Hydraulic Swagers | 17, 31 |
| Kits, Handswaging | 16, 17, 32 |
| Locking-Clip, Turnbuckle, MS21256 | 6 |
| Locking Wire, Safety | 10 |
| MS20663, Double Shank Ball | 1 |
| MS20664, Single Shank Ball | 1 |
| MS20667, Fork End | 3 |
| MS20668, Eye End | 3 |
| MS21259, Stud | 4 |
| MS21260, Stud | 5 |
| MS Fittings | 1-7 |
| MS Fittings, Clevis Pins | 3 |
| Machine, Swaging | 31-37 |
| Marine Eye | 4 |
| NAS1435-E, Strap Eye | 2 |
| NAS1435-K, Strap Fork | 2 |
| Net Clip Tool | 10 |
| Net Clips | 9 |
| Oval Sleeves, Aluminum | 12 |
| Oval Sleeves, Copper | 12 |
| Oval Sleeves, Copper Zinc-Plated | 12 |
| Oval Sleeves, Stainless Steel | 13 |
| Pins, Clevis for MS Fittings | 3 |
| Pins, Cotter | 2 |
| Pneumatic Swagers | 16 |
| Powered Swaging Machines | 18-20, 31, 36-37 |
| Quality Assurance | 38 |
| Quality Policy | 38 |
| Safety Wire Pliers | 23 |
| Simplex® Wire/Cable Strippers | 28 |
| Single Shank Ball, MS20664 | 1 |
| Sleeves, Oval Aluminum | 12 |

TABLE OF CONTENTS

| Description | Page |
|--|--------------|
| Sleeves, Oval Copper | 12 |
| Sleeves, Oval, Copper, Zinc-Plated | 12 |
| Sleeves, Stop Aluminum | 12 |
| Sleeves, Stop Copper | 12 |
| Sleeves, Stainless Steel | 13 |
| Sleeves, Thin Wall Aluminum Oval | 13 |
| Stainless Steel, AN100 Thimbles | 8 |
| Stainless Steel, Locking Wire | 10 |
| Stainless Steel, Oval Sleeves | 13 |
| Stainless Steel, Safety Wire | 10 |
| Stainless Steel, Thimbles AN100 | 8 |
| Stainless Steel, Thimbles Type 302/304 | 8 |
| Stainless Steel, Wire Rope Clips | 11 |
| Stop Sleeves | 12 |
| Strap, Eye NAS1435-E | 2 |
| Strap, Fork End NAS1435-K | 2 |
| Strippers, Wire/Cable | 28 |
| Stud, AN 669 | 5 |
| Stud, MS21259 | 4 |
| Stud, MS21260 | 5 |
| Swagers, Bench | 15-16, 31-36 |
| Swagers, Hand | 14-19 |
| Swagers, Hydraulic | 31, 17 |
| Swagers, Pneumatic | 16 |
| Swaging Dies | 17-19, 31-37 |
| Swaging, Electric-Powered | 31, 36-37 |
| Swaging, Machines | 31-37 |
| Swaging Kits, Hand | 16-17, 32 |
| Tension Gauge | 29-30 |
| Terminals, Cylindrical | 2 |
| Terminals, Wire Rope | 1-13 |
| Terminations, Oval and Stop Sleeves | 12-13 |
| Thimbles, AN100 Cold-Rolled Steel | 8 |
| Thimbles, AN100 Stainless Steel | 8 |

A background collage of various cable tools and components, including pliers, cutters, and cable fittings, arranged in a circular pattern around the central text.

OUR QUALITY POLICY

The dedicated associates at Loos & Co., Inc. Cableware® Division are committed to providing customer satisfaction at every level. We achieve this through a certified quality management system, by cultivating strategic supplier partnerships, and a mind-set of continuous improvement.

LOOS & CO. U.S.A.

CABLEWARE® DIVISION

ESTABLISHED 1958



LOOS & CO. UZH

CABLEWARE® DIVISION

901 INDUSTRIAL BOULEVARD | NAPLES, FLORIDA 34104 | USA
PHONE: (800) 321-LOOS (5667) | (239) 643-5667 | FAX: (239) 643-4558
EMAIL: SALES@LOOSNAPLES.COM | WEB: WWW.LOOSNAPLES.COM

MKT-CW-NPL
1.6.23